

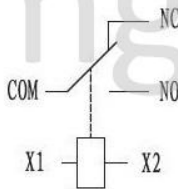
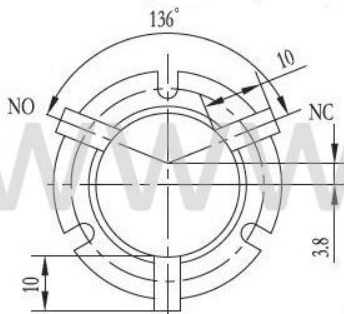
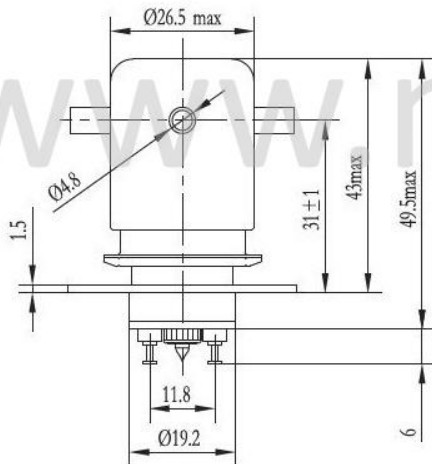
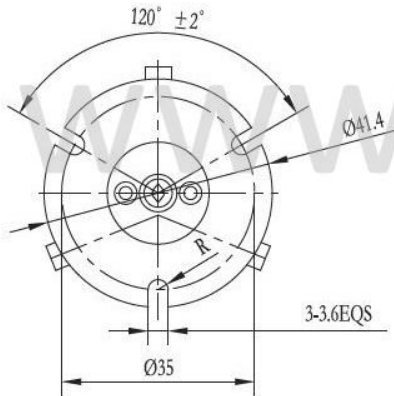


GreenStone

## VC-15WF

### Product Facts

- SF<sub>6</sub> gas-filled for power switching on the “make”
- Long load life in capacitive discharge
- Recommended for ESD testing and safety interlock applications



### PRODUCT SPECIFICATIONS

Item	Unit	VC-15	
Contact Form	—	C	
Contact Arrangement	—	SPDT	
Contact Material (moveable/stationary)	—	molybdenum/tungsten	
Dielectric		Inert Gas	
Maximum Peak Test Voltage, Contacts and to Base (15µA Leak Current Max.) dc or 60Hz	kV	17	
Maximum Peak Operating Voltage, Contacts and to Base (15µA Leak Current Max.)	dc or 60Hz	kV	15
	2.5MHz	kV	—
	16MHz / 32MHz	kV	—
Current, Load Switching			
Current, Continuous Carry Max	dc or 60Hz	A	12
	2.5MHz	A	—
	13.56MHz / 32MHz	A	—
Coil Hi-Pot (V RMS, 60 Hz)	V	500	
Capacitance	Across Open Contacts	pF	—
	Contacts to Ground	pF	—
Operate Time	ms	15	
Release Time	ms	9	
Resistance, Contact Max @ 1A, 28 Vdc	Ω	1	
Operating Temperature Ambient	°C	-55 ~ +125	
Shock, Operating, 1/2 Sine 11ms (Peak)	G's	50	
Vibration, Operating, Sine (55-500 Hz Peak)	G's	10	
Life, Mechanical	Cycles	1 million	
Weight, Nominal	g(oz)	84(3)	

### COIL RATINGS

Nominal, Volts dc	12	24	26.5	115	220
Pull-in, Volts dc, Max.	8	16	16	80	160
Drop-out, Volts dc	.5~5	1~10	1~10	5~50	10~100
Coil Resistance (Ω ± 10%)	80	180	270	3500	11000

☆Ratings Listed are for 25°C, Sea Level Conditions

### PART NUMBER SYSTEM

Series: High Voltage/Power **VC-15-WF-12 Vdc**

Terminal Connections

Contact Leads Out: W=Screw S=Solder Pot

Mounting: P=Through Panel F=Flange

Coil Voltage ※: Blank=26.5Vdc, —12Vdc=12Vdc

Ordering Information:



150 Dodd Street SE, Marietta, GA. 30060 | Cage: 7JZZ8  
 Phone: (770) 973-6251 | Fax: (678) 401-3854 | EIN: 58-1857241  
 Website: www.mgs4u.com | E-Mail: sales@mgs4u.com | UEI: NSM7F253Z2F1