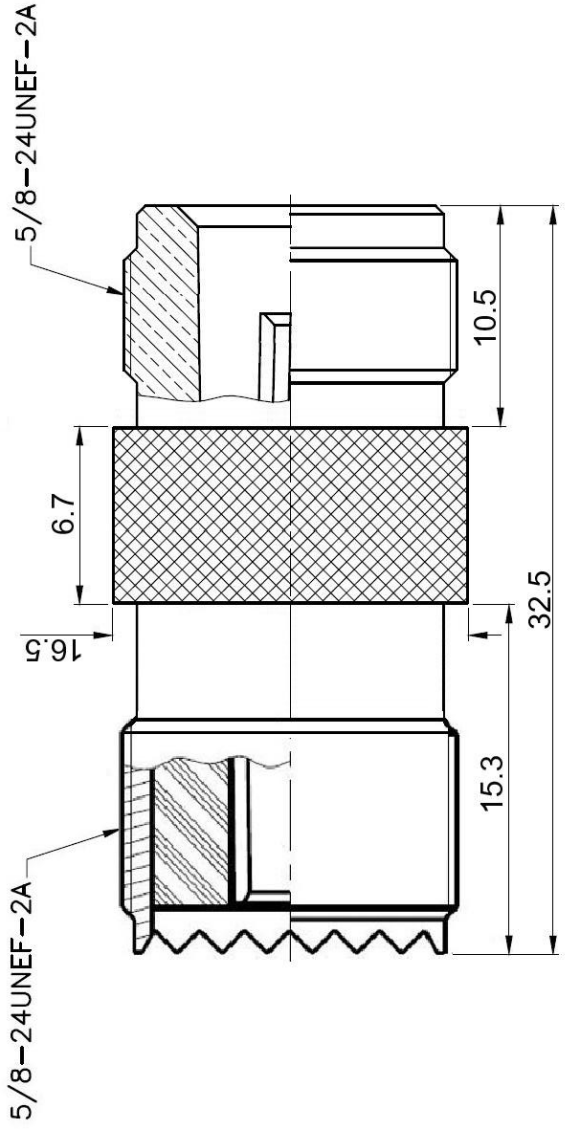


Impedance	50 Ohms
Frequency Range	DC to 400 MHz
VSWR	1.3:1
Working Voltage	1,000



Max-Gain Systems, Inc.  
 150 Dodd Street SE, Marietta, GA, 30060  
 Phone: (770) 973-6251 | Fax: (678) 401-3854  
 Website: www.mgs4u.com | E-Mail: sales@mgs4u.com

TITLE: UHF female to Type N female Adapter  
 DRAWING NO: 7335  
 CAGE CODE: 7JZZ8

UNLESS OTHERWISE SPECIFIED TOLERANCES		PART NO	DATE
0.5-5	±0.2	APPROVED	DATE
5-30	±0.4	CHECKED	DATE
30-120	±0.6	DRAWN	DATE
120-315	±1		
315-1000	±1.6		
1000-2000	±2.4		
UNIT: mm			
SCALE: .			
PIN	BRASS		GOLD
INSULATOR	TEFLON		WHITE
BODY	BRASS		NICKEL
NO. DESCRIPTION	MATERIAL		FINISH