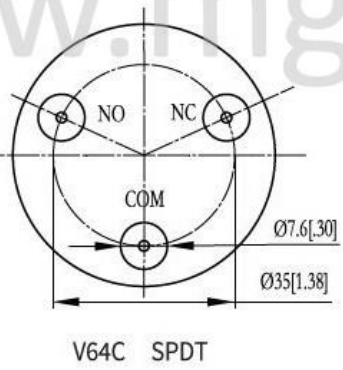
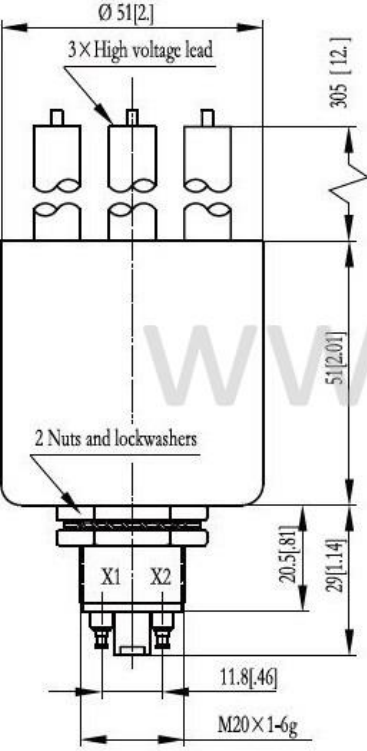


V64C841

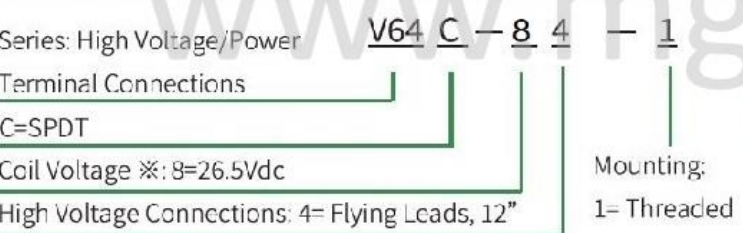
- Compact size , withstanding 50kV;
- Long life with flexible length of high voltage leads;
- Easily mounting in any axis and to the panel.



PRODUCT SPECIFICATIONS

Item	V64C	
Contact Form	C	
Contact Arrangement	SPDT	
Contact Material (moveable/stationary)	molybdenum /tungsten	
Dielectric	Inert Gas	
Maximum Peak Test Voltage, Contacts and to Base (15µA Leak Current Max.) dc or 60Hz	kV	
Maximum Peak Operating Voltage, Contacts and to Base (15µA Leak Current Max.)	dc or 60Hz	kV
	2.5MHz	
	13.56MHz	
	32MHz	
Current, Load Switching ※ ※	Contact factory	
Current, Continuous Carry Max	dc or 60Hz	A
	2.5MHz	
	13.56MHz	
	32MHz	
Coil Hi-Pot (V RMS, 60 Hz)	V	
Capacitance	pF	
Operate Time	ms	
Release Time	ms	
Resistance, Contact Max @ 1A, 28 Vdc	Ω	
Operating Temperature Ambient	°C	
Vibration, Operating, Sine (10-2000 Hz Peak)	G's	
Shock, Operating, 1/2 Sine 11ms (Peak)	G's	
Life, Mechanical	Cycles	
Weight, Nominal	g(oz)	

PART NUMBER SYSTEM



※ : Order the relay with the coil voltage in the part number as shown above. The coil voltage will appear on the coil plate near the coil terminals rather than in the pin on the relay.
 ※ ※ : Consult factory for load switching applications.

COIL RATINGS

Nominal, Volts dc	26.5
Pick-up, Volts dc, Max.	18
Drop-Out, Volts dc	1~10
Coil Resistance (Ω ±10%)	75
Ratings Listed are for 25°C, Sea Level Conditions	