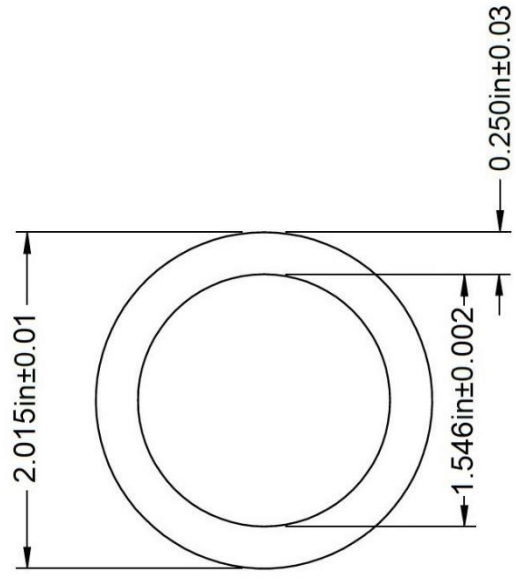
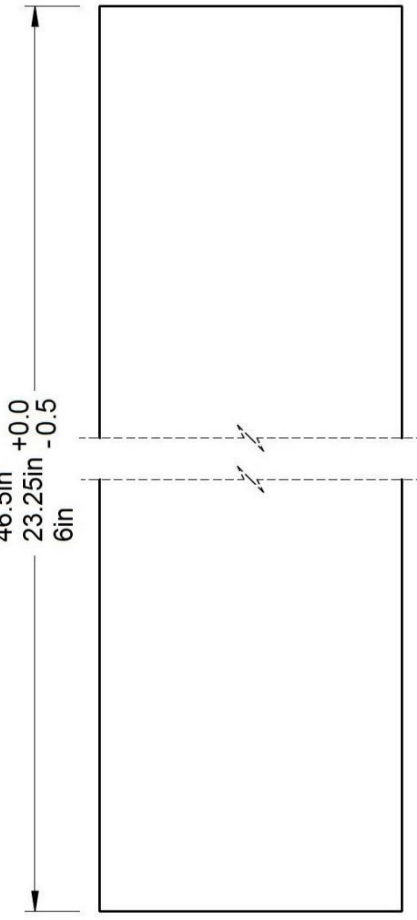


Stocked lengths shippable  
by standard parcel carriers

93in  
46.5in  $+0.0$   
23.25in  $-0.5$   
6in



Need a Custom Length?  
Inquire at [sales@mgs4u.com](mailto:sales@mgs4u.com)  
Tell us what diameter, how many  
pieces, and at what length.  
We can produce at the longest  
length that can ship.  
Need 20 footers? Let us know!  
United States domestically  
manufactured quality.



Straightness Tolerance 0.03" per ft.

NO.	DESCRIPTION	MATERIAL	COLOR SELECTED	FINISH	UNIT: in	DRAWN	DATE
	RANDOM DIRECTION MAT	GLASS	CREME / CLEAR	50	CHECKED	DATE	
	POLYMERIZATION INITIATOR	CATALYST	RESIN	2-3	APPROVED	DATE	
	ISOTHALIC POLYESTER	DYE / PIGMENT		45-47	PART NO	DATE	
				1-2			
				%			

Max-Gain Systems, Inc.  
150 Dodd Street SE, Marietta, GA. 30060  
Phone: (770) 973-6251 | Fax: (678) 401-3854  
Website: [www.mgs4u.com](http://www.mgs4u.com) | E-Mail: [sales@mgs4u.com](mailto:sales@mgs4u.com)

TITLE: 2 inch OD Round Hollow Tube with 1.50 inch ID. 1/4" wall.

DRAWING NO: RT-2-QTR  
CAGE CODE: 7JZZ8