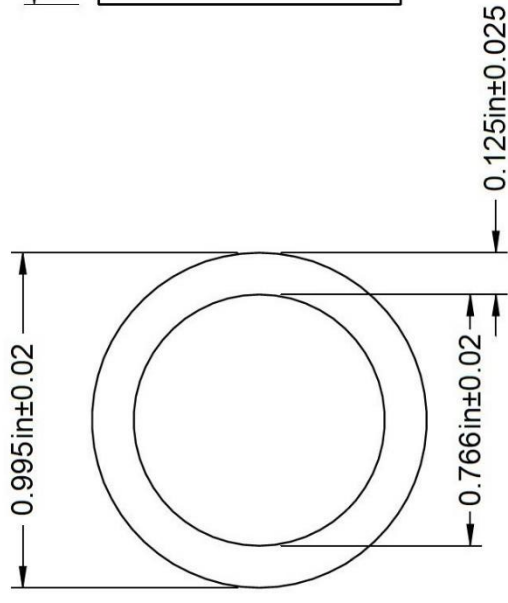
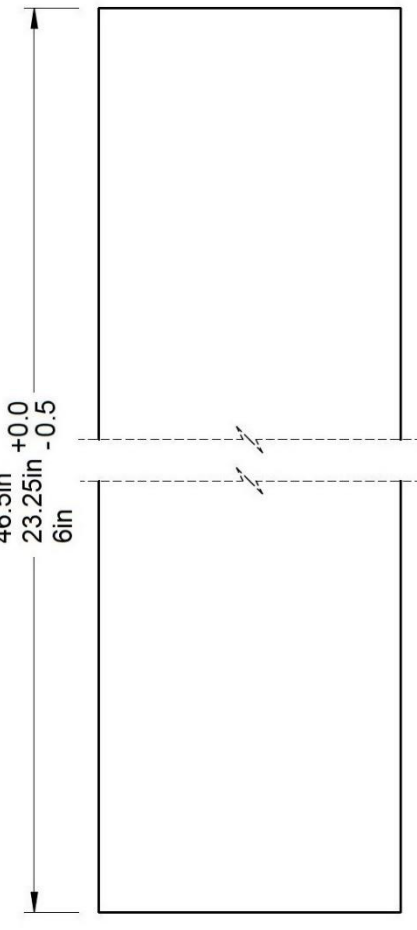


Stocked lengths shippable
by standard parcel carriers

93in
46.5in +0.0
23.25in -0.5
6in



Need a Custom Length?
Inquire at sales@mgs4u.com
Tell us what diameter, how many
pieces, and at what length.
We can produce at the longest
length that can ship.
Need 20 footers? Let us know!
United States domestically
manufactured quality.



Max-Gain Systems, Inc.
150 Dodd Street SE, Marietta, GA. 30060
Phone: (770) 973-6251 | Fax: (678) 401-3854
Website: www.mgs4u.com | E-Mail: sales@mgs4u.com

Straightness Tolerance 0.12" per ft.

TITLE: 1 inch OD Round Hollow Tube with 3/4 inch ID, 1/8" wall.
DRAWING NO: RT-1
CAGE CODE: 7JZZ8

NO.	DESCRIPTION	MATERIAL	COLOR SELECTED	FINISH	UNIT: in	DRAWN	DATE	PART NO	DATE
							CHECKED	APPROVED	DATE
	RANDOM DIRECTION MAT	GLASS	CREME / CLEAR		50				
	POLYMERIZATION INITIATOR	CATALYST			2-3				
	ISOTHALIC POLYESTER	RESIN			45-47				
		DYE / PIGMENT			1-2				
					%				