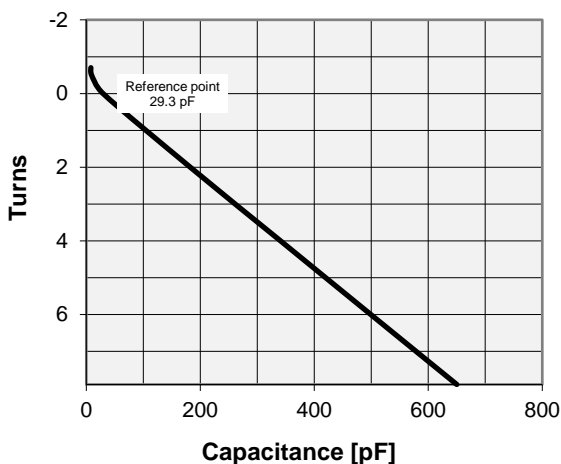
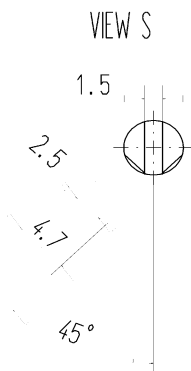
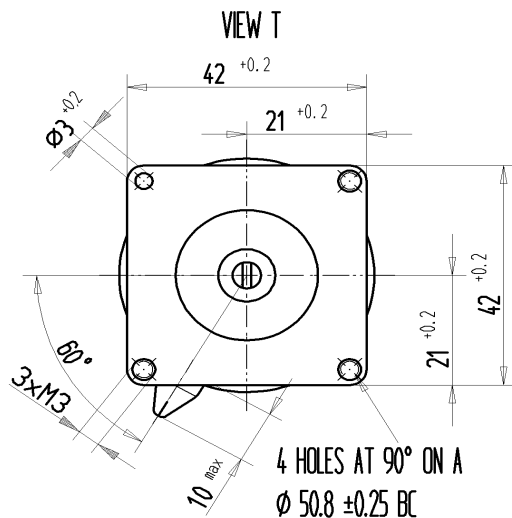


# CVDU-650EC/5-DEFZ

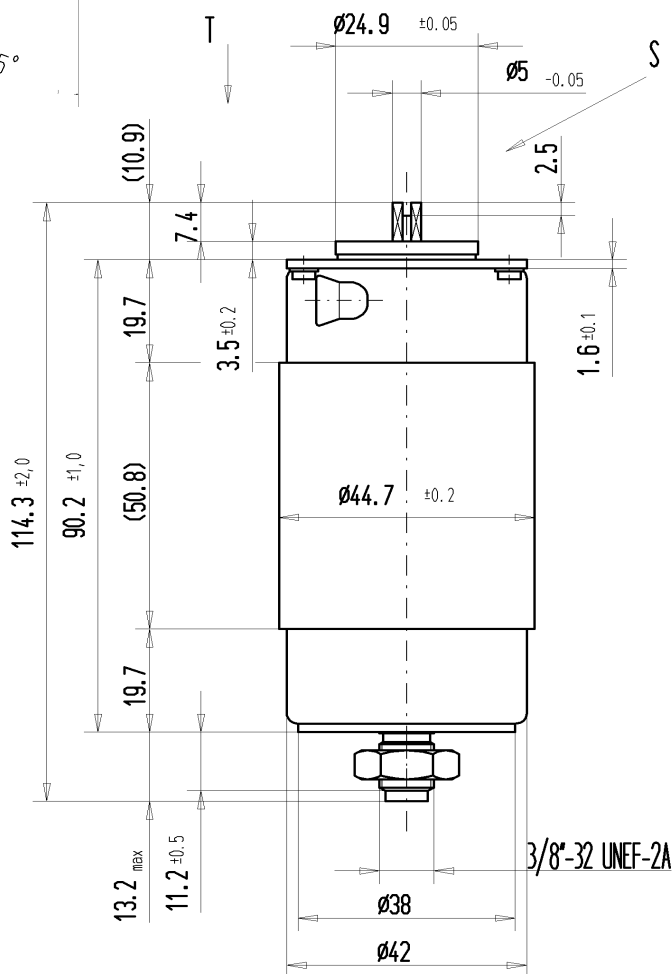
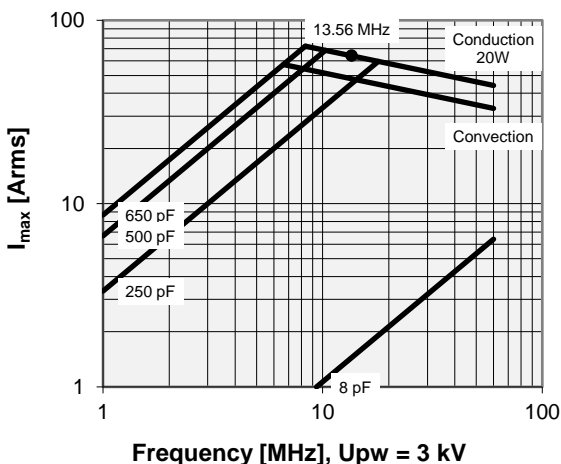
Old Type Designation: CV05C-650NB

## Specifications

Capacity $C_{max}$ (nominal)	650 pF
Capacity $C_{min}$ (nominal)	8 pF
Voltage (Peak Test $U_{pt}$ / Peak Working $U_{pw}$ )	5 kV / 3 kV
Capacity Tolerance (linear Range)	10%
Max. Current $I_{max}$ at 13.56 MHz with	63 Arms
Conduction Cooling	20 W
Self Inductance	$\leq 8$ nH
Capacitance per turn	78.6 pF/turn
Torque	$\leq 0.15$ Nm
Net Weight	0.4 kg



$I_{max}$  at 25°C ambient and 125°C surface temp. for convection and conduction (20 W) cooling



Note:  
 Technical information in Service Bulletin  
 SB-52 must be considered  
 Subject to change without prior notice

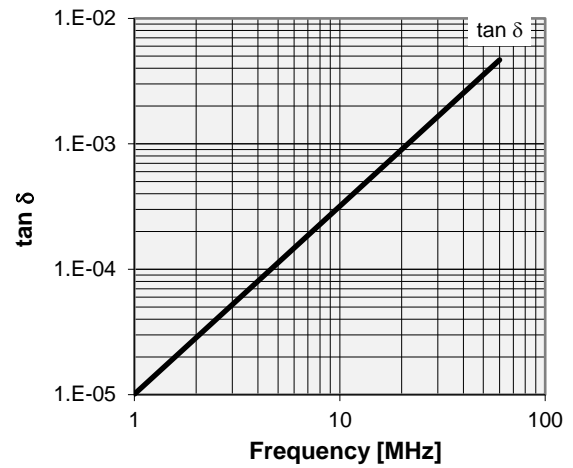
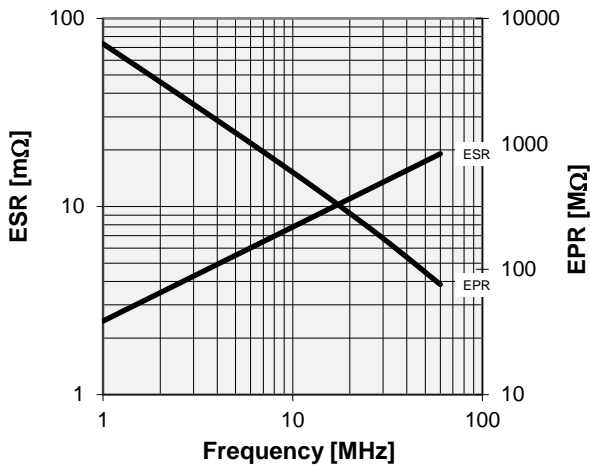
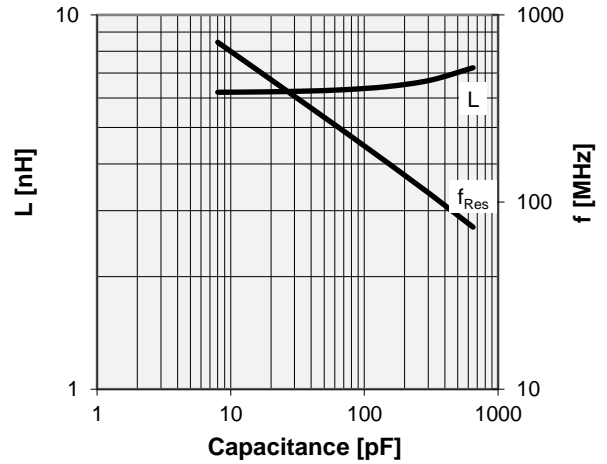
# CVDU-650EC/5-DEFZ

Old Type Designation: CV05C-650NB

Turns	Nominal Capacitance [pF]	Tolerance
-0.7	8.0	10%
-0.5	9.3	10%
0.0	29.3	0%
2.0	182.3	10%
4.0	340.7	10%
6.0	499.1	10%
7.9	650.0	10%

Mechanical stop at < 8 pF at ~ -1.4 turns  
 Mechanical stop at > 650 pF at ~ 8 turns

Self inductance and resonance frequency



Note:  
 Technical information in Service Bulletin  
 SB-52 must be considered  
 Subject to change without prior notice