



150 Dodd Street SE  
Marietta, GA. 30060

**Phone:** 770-973-6251  
**Fax:** 678-401-3854  
**Cage Code:** 7JZZ8

**Email:** [info@mgs4u.com](mailto:info@mgs4u.com)  
**Website:** [www.mgs4u.com](http://www.mgs4u.com)

HN female 4-Hole Panel Mount Solder Connector

## Technical Data Sheet



This HN Female 4-Hole Panel Mount Solder Connector is one of several thousand RF products available from Max-Gain Systems, Inc.

This connector is made from a Solid Brass body that is precision machined and plated with Nickle for superior performance and value. This HN Female 4-Hole Panel Mount Solder Connector has a PTFE dielectric and a gold plated brass center pin. The HN female provides a jack and exterior threads enabling a tight-locking connection for use at higher frequencies up to 2 GHz.

## Material Specifications

HN female 4-Hole Panel Mount Solder Connector

Part Number 8317-HN-400HV

Description	Material	Plating
Insulator	PTFE	White
Washer	Brass	Nickel
Insulator	PTFE	White
Pin	Phosphor Bronze	Gold
Body	Brass	Nickel

## Electrical Specifications

Criteria	Dimension
Impedance (Nominal)	50 Ohms
Frequency Range	DC to 2 GHz
Working Voltage	5,000

## Mechanical Specifications

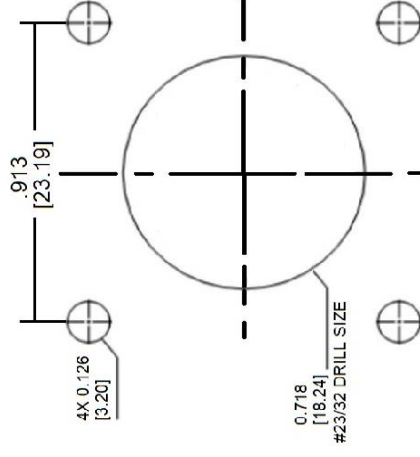
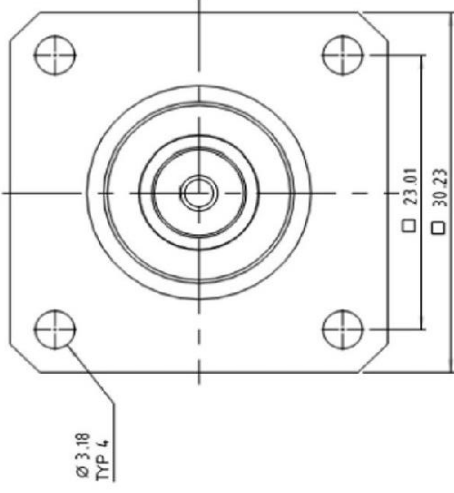
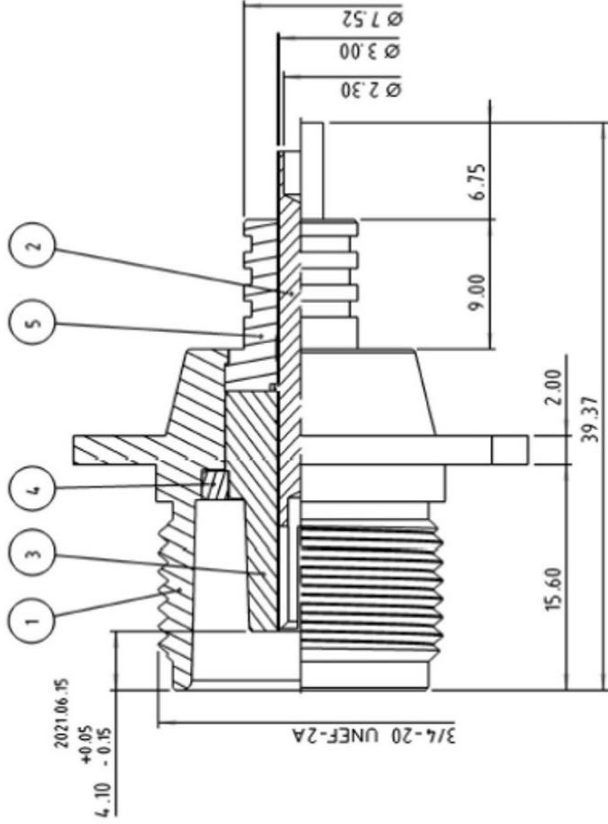
Size	Dimension
Length	1.55 in (39.39 mm)
Width	1.193 in (30.3 mm)
Height	1.193 in (30.3 mm)
Weight	1.4 oz (40 g)

## Environmental Specifications

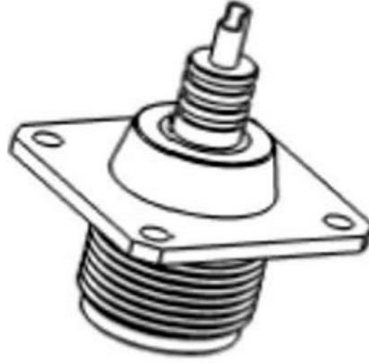
Temperature	Spec
Operating Range	-65 to +165 deg C

## Compliance Certifications (see product page for current documentation)

**Availability** Click the following link (or enter part number in the "SEARCH" bar at the top of any page of the website) to obtain additional part information including price, inventory and certifications: <https://mgs4u.com/product/hn-female-4-hole-panel-mount-solder-connector>



RECOMMENDED MOUNTING



**MGS** MAX-GAIN SYSTEMS, INC.

Max-Gain Systems, Inc.  
 150 Dodd Street SE, Marietta, GA. 30060  
 Phone: (770) 973-6251 | Fax: (678) 401-3854  
 Website: www.mgs4u.com | E-Mail: sales@mgs4u.com

TITLE: HN female 4 Hole Panel Mount  
 High Voltage Solder Cup

DRAWING NO: 8317-HN-400HV

FILE NO :

UNLESS OTHERWISE SPECIFIED TOLERANCES		PART NO		DATE	
0.5-5	±0.2	APPROVED	DATE		
5-30	±0.4	CHECKED	DATE		
30-120	±0.6	DRAWN	DATE		
120-315	±1.1				
315-1000	±1.6				
1000-2000	±2.4				
	UNIT: mm				
	SCALE: .				
NO.	DESCRIPTION	MATERIAL	FINISH	QTY	
5	INSULATOR	TEFLON	WHITE	1	
4	WASHER	BRASS	NICKEL	1	
3	INSULATOR	TEFLON	WHITE	1	
2	PIN	PHOSPHOR BRONZE	GOLD	1	
1	BODY	BRASS	NICKEL	1	