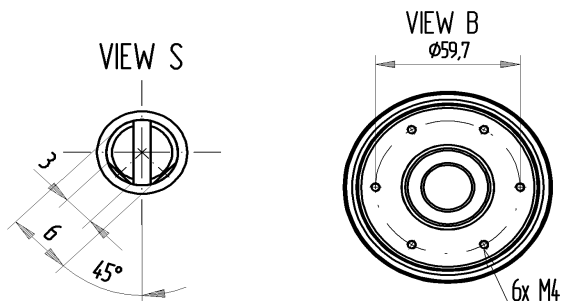
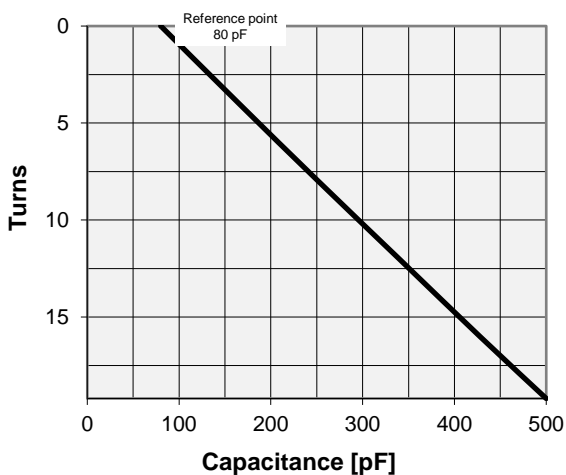
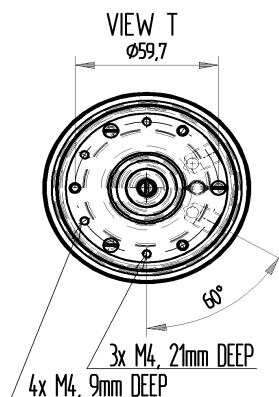


CVPO-500AW/15-BECA-L

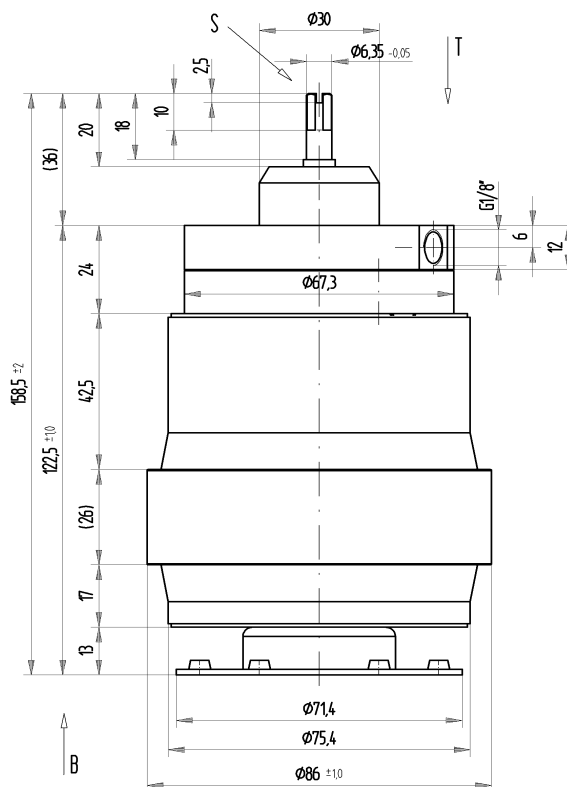
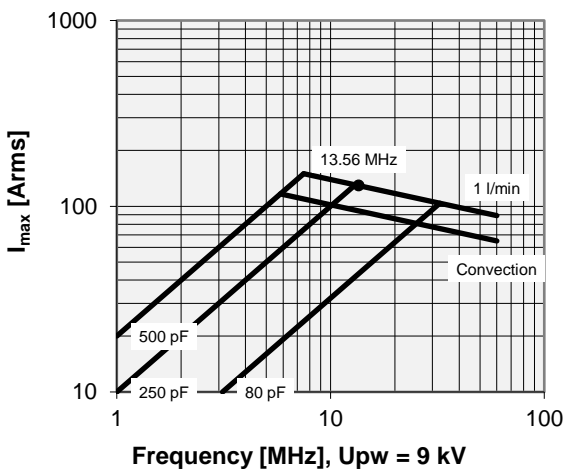
Old Type Designation: CV1W-500GN

Specifications

Capacity C_{max} (nominal)	500 pF
Capacity C_{min} (nominal)	80 pF
Voltage (Peak Test U_{pt} / Peak Working U_{pw})	15 kV / 9 kV
Capacity Tolerance (linear Range)	10%
Max. Current I_{max} at 13.56 MHz with	129 Arms
Water Cooling	1 l/min
Capacitance per turn	21.9 pF/turn
Torque	≤ 0.4 Nm
Net Weight	1.6 kg



I_{max} for 1 l/min water cooling; max. water temp. at inlet: 70°C



Note:

Technical information in Service Bulletin
 SB-52 must be considered
 Subject to change without prior notice

Issue: 15-Jun-2004
 Replaces: 03-Sep-1999

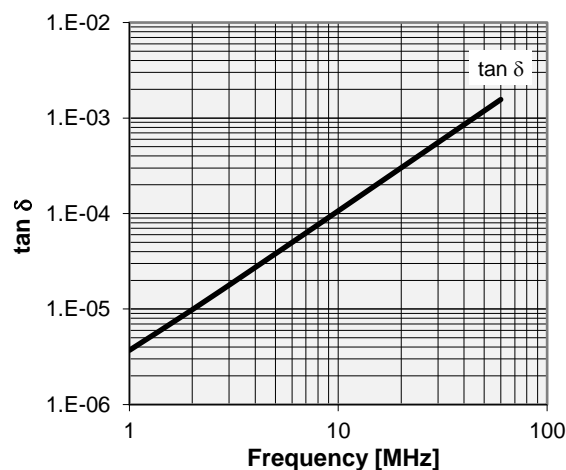
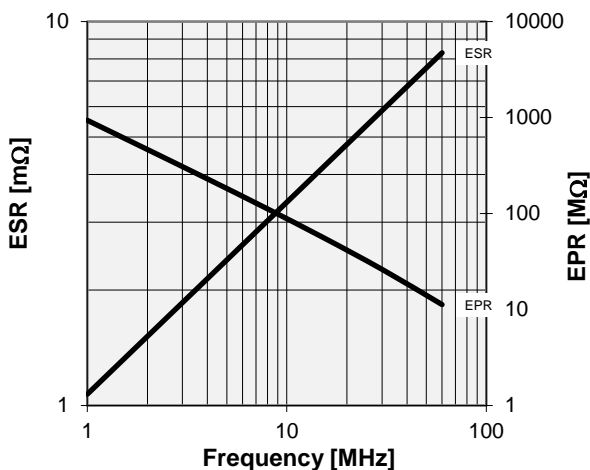
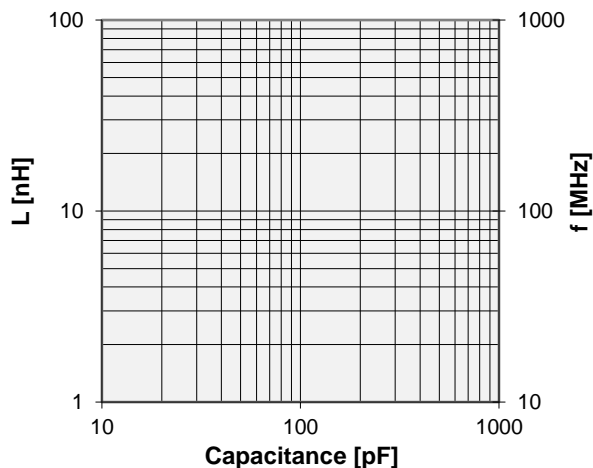
CVPO-500AW/15-BECA-L

Old Type Designation: CV1W-500GN

Turns	Nominal Capacitance [pF]	Tolerance
0.0	80.0	0%
4.0	165.3	10%
8.0	251.7	10%
12.0	339.7	10%
16.0	427.7	10%
19.2	500.0	10%

Mechanical stop at < 80 pF at ~ -0.9 turns
 Mechanical stop at > 500 pF at ~ 19.5 turns

Self inductance and resonance frequency



Special Features:
Integrated Flange

Type Ordering Information:	Upt
CVPO-500AW/15-BECA-L	15 kV
CVPO-500AW/10-BECA-L	10 kV
CVPO-500AW/7.5-BECA-L	7.5 kV

Note:
 Technical information in Service Bulletin
 SB-52 must be considered
 Subject to change without prior notice