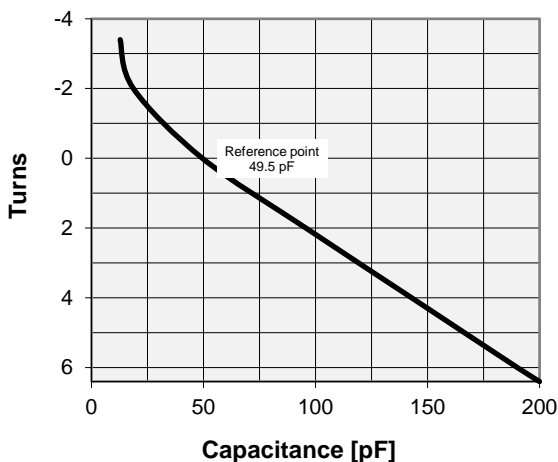
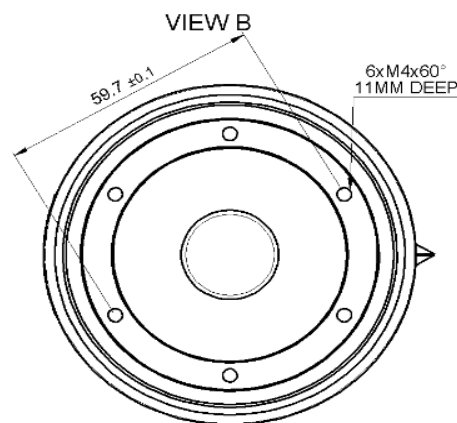
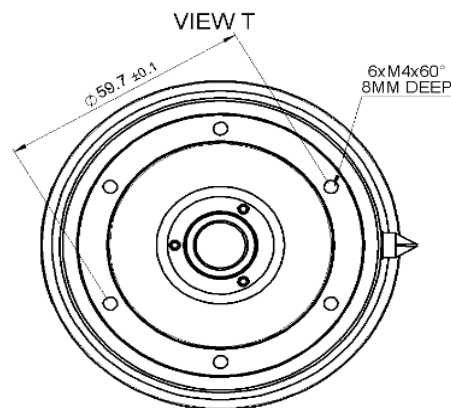


# CVHE-200AC/15-AAAB-A1

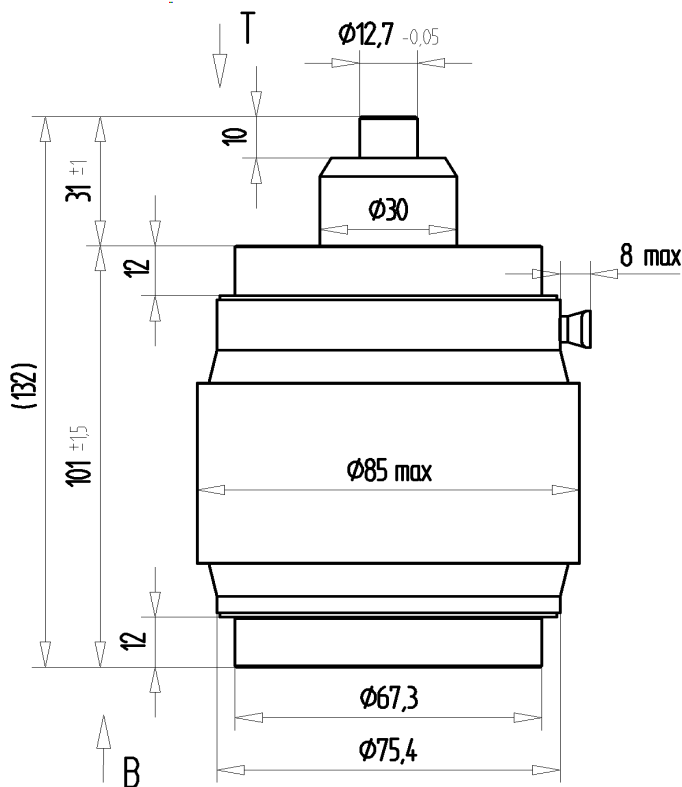
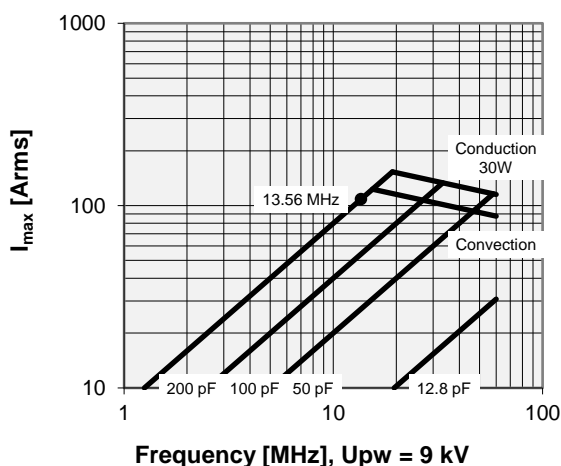
Old Type Designation: CV1C-200HL

## Specifications

Capacity $C_{max}$ (nominal)	200 pF
Capacity $C_{min}$ (nominal)	12.8 pF
Voltage (Peak Test $U_{pt}$ / Peak Working $U_{pw}$ )	15 kV / 9 kV
Capacity Tolerance (linear Range)	10%
Max. Current $I_{max}$ at 13.56 MHz with	108 Arms
Conduction Cooling	30 W
Self Inductance	$\leq 5$ nH
Capacitance per turn	23.5 pF/turn
Torque	$\leq 0.4$ Nm
Net Weight	1.4 kg



$I_{max}$  at 25°C ambient and 125°C surface temp. for convection and conduction (30 W) cooling



Note:  
 Technical information in Service Bulletin  
 SB-52 must be considered  
 Subject to change without prior notice

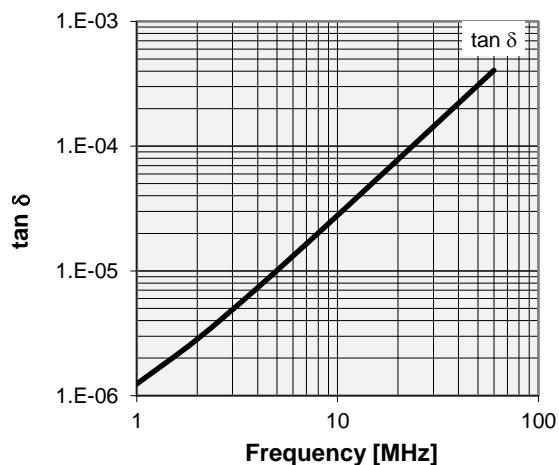
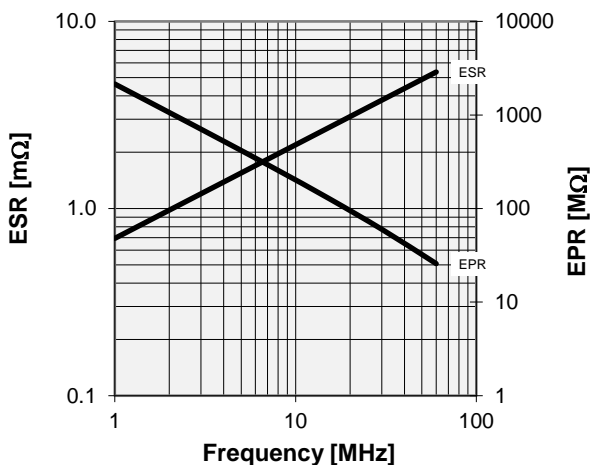
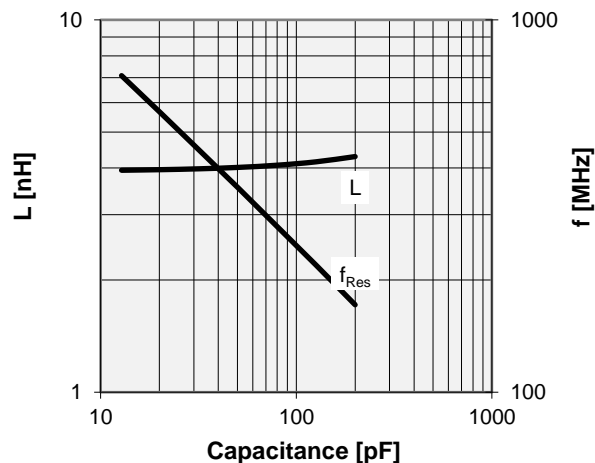
# CVHE-200AC/15-AAAB-A1

Old Type Designation: CV1C-200HL

Turns	Nominal Capacitance [pF]	Tolerance
-3.4	12.8	10%
-2.0	18.7	10%
0.0	49.5	0%
2.0	95.7	10%
4.0	142.9	10%
6.0	190.1	10%
6.4	200.0	10%

Slamindex at  $12.8 \pm 0.5$  pF at  $-3.4 \pm 0.5$  turns  
 Mechanical stop at  $> 200$  pF at  $\sim 6.7$  turns

Self inductance and resonance frequency



<b>Special Features:</b>
Slam Index

Note:  
 Technical information in Service Bulletin  
 SB-52 must be considered  
 Subject to change without prior notice