



150 Dodd Street SE
Marietta, GA. 30060

Phone: 770-973-6251
Fax: 678-401-3854

Email: info@mgs4u.com
Website: www.mgs4u.com

RP-SMA male to Type F male Adapter



Technical Data Sheet

This RP-SMA male to Type F male adapter is one of several thousand RF products available from Max-Gain Systems, Inc. This adapter is a between series coaxial adapter.

This adapter is made from a Solid Brass body that is precision machined and plated with Gold for superior performance and value. This RP-SMA female to Type F male adapter has a PTFE dielectric and a gold plated brass center pin. The RP-SMA male side provides the same threads as an SMA male and pins that are normally found in SMA female connections; RP-SMA connections are popular in Wi-Fi, WiMAX, and other computer applications. The Type F male side is commonly used for television and internet connections.

Material Specifications

RP-SMA male to Type F male Adapter

Part Number 8521

Description	Material	Plating
Center Pin	Brass	Gold
Insulator	PTFE	White
Body	Brass	Gold

Mechanical Specifications

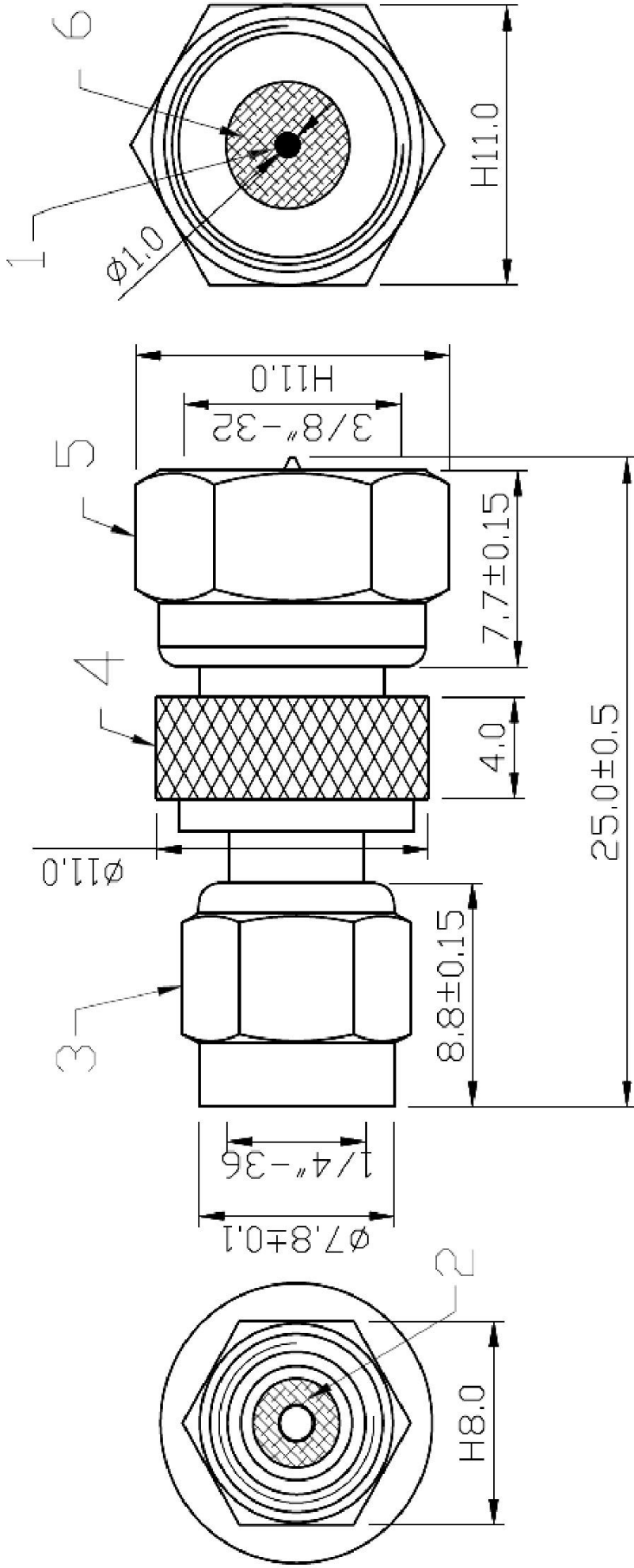
Size	Dimension
Length	0.95 in (26 mm)
Width	0.43 in (11 mm)
Height	0.43 in (11 mm)
Weight	0.23 oz (8 g)

Environmental Specifications

Temperature	Spec
Operating Range	-65 to +165 deg C

Compliance Certifications (see product page for current documentation)

Availability Click the following link (or enter part number in the “SEARCH” bar at the top of any page of the website) to obtain additional part information including price, inventory and certifications: <https://mgs4u.com/product/rp-sma-male-to-type-f-male-adapter/>



Max-Gain Systems, Inc.
 150 Dodd Street SE, Marietta, GA, 30060
 Phone: (770) 973-6251 | Fax: (678) 401-3854
 Website: www.mgs4u.com | E-Mail: sales@mgs4u.com

TITLE: RP-SMA male to Type F male
 Right Angle Adapter
 DRAWING NO: 8521
 FILE NO : .

UNLESS OTHERWISE SPECIFIED TOLERANCES		PART NO	DATE
0.5-5	±0.2	APPROVED	DATE
5-30	±0.4	CHECKED	DATE
30-120	±0.6	DRAWN	DATE
120-315	±1		
315-1000	±1.6		
1000-2000	±2.4		
UNIT: mm			
SCALE: .			
NO.	DESCRIPTION	MATERIAL	FINISH
6	INSULATOR	TEFLON	WHITE
5	BODY	BRASS	GOLD
4	BODY	BRASS	GOLD
3	BODY	BRASS	GOLD
2	INSULATOR	TEFLON	WHITE
1	PIN	BRASS	GOLD