

### FEATURES

- > Durable tungsten contacts with improve load switching capability\*\*
- > Smallest 25kV EM relay available
- > Mounting options in any axis
- > Solder or convenient threaded HV connections

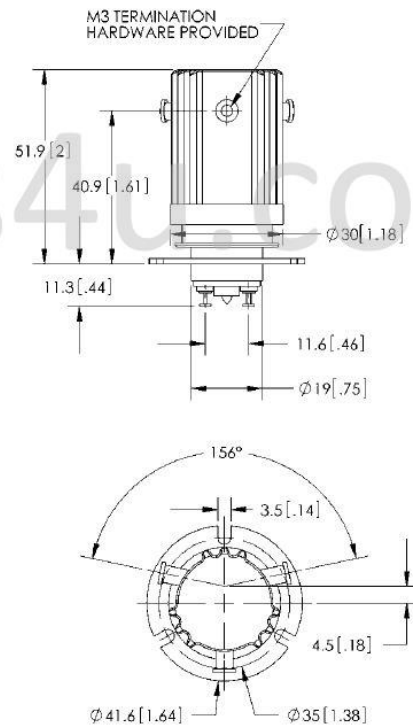


### PRODUCT SPECIFICATIONS

| Contact & Relay Ratings  | Units   | G25                  |
|--|---------|----------------------|
| Contact Form   |         | C                    |
| Contact Arrangement  |         | SPDT                 |
| Contact Material (moveable/stationary)                                       |         | molybdenum /tungsten |
| Dielectric   |         | Vacuum               |
| Voltage, Test Max., Contacts & to Base (15 µA Leakage Max.) dc or 60Hz       | kV Peak | 27                   |
| Voltage, Operating Max., Contacts & to Base (15 µA Leakage Max.) dc or 60 Hz | kV Peak | 25                   |
| Current, Load Switching  |         | Contact factory**    |
| Current, Continuous Carry Max dc or 60 Hz                                    | Amps    | 18                   |
| Coil Hi-Pot (V RMS, 60 Hz)   | V       | 500                  |
| Resistance, Contact Max @ 1A, 28 Vdc   | ohms    | 0.1                  |
| Operate Time   | ms      | 15                   |
| Release Time   | ms      | 15                   |
| Life, Mechanical   | cycles  | 1 million            |
| Weight, Nominal  | g (oz)  | 120 (4)              |
| Vibration, Operating, Sine (55-500 Hz Peak)                                  | G's     | 10                   |
| Shock, Operating, 1/2 Sine 11ms (Peak)                                       | G's     | 20                   |
| Temperature Ambient Operating  | °C      | -55 to +125          |

### COIL RATINGS

| Nominal, Volts dc           | 12     | 26.5   | 115    |
|-----------------------------|--------|--------|--------|
| Pick-up, Volts dc, Max.     | 9      | 18     | 90     |
| Drop-Out, Volts dc          | .5 - 5 | 1 - 10 | 5 - 55 |
| Coil Resistance (Ohms ±10%) | 30     | 125    | 2000   |



### PART NUMBER SYSTEM

| G25                                     | S                               | P                               |  |
|---|---------------------------------|---------------------------------|--|
| High Voltage/Power Terminal Connections | S = Solder Pot<br>W = Screw, M3 |                                 |  |
| Mounting                                |                                 | P = Through Panel<br>F = Flange |  |
| Coil Voltage*                           |                                 |                                 | Blank = 26.5 Vdc<br>-12Vdc = 12Vdc<br>-115Vdc = 115Vdc |

\* Order the relay with the coil voltage in the part number as shown above. The coil voltage will appear on the coil plate near the coil terminals rather than in the P/N on the relay.

\*\* Consult factory for load switching applications.