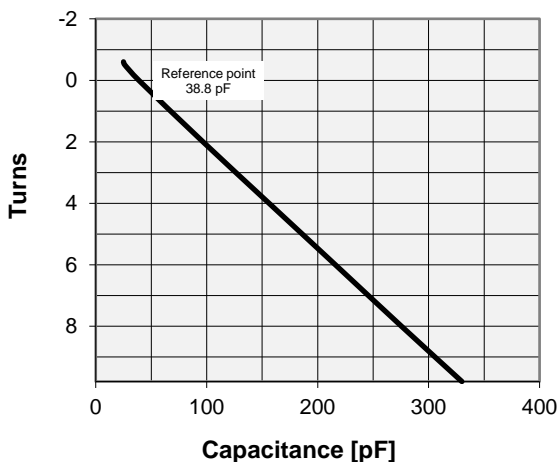


# CVHE-330AC/10-BEAA-CF

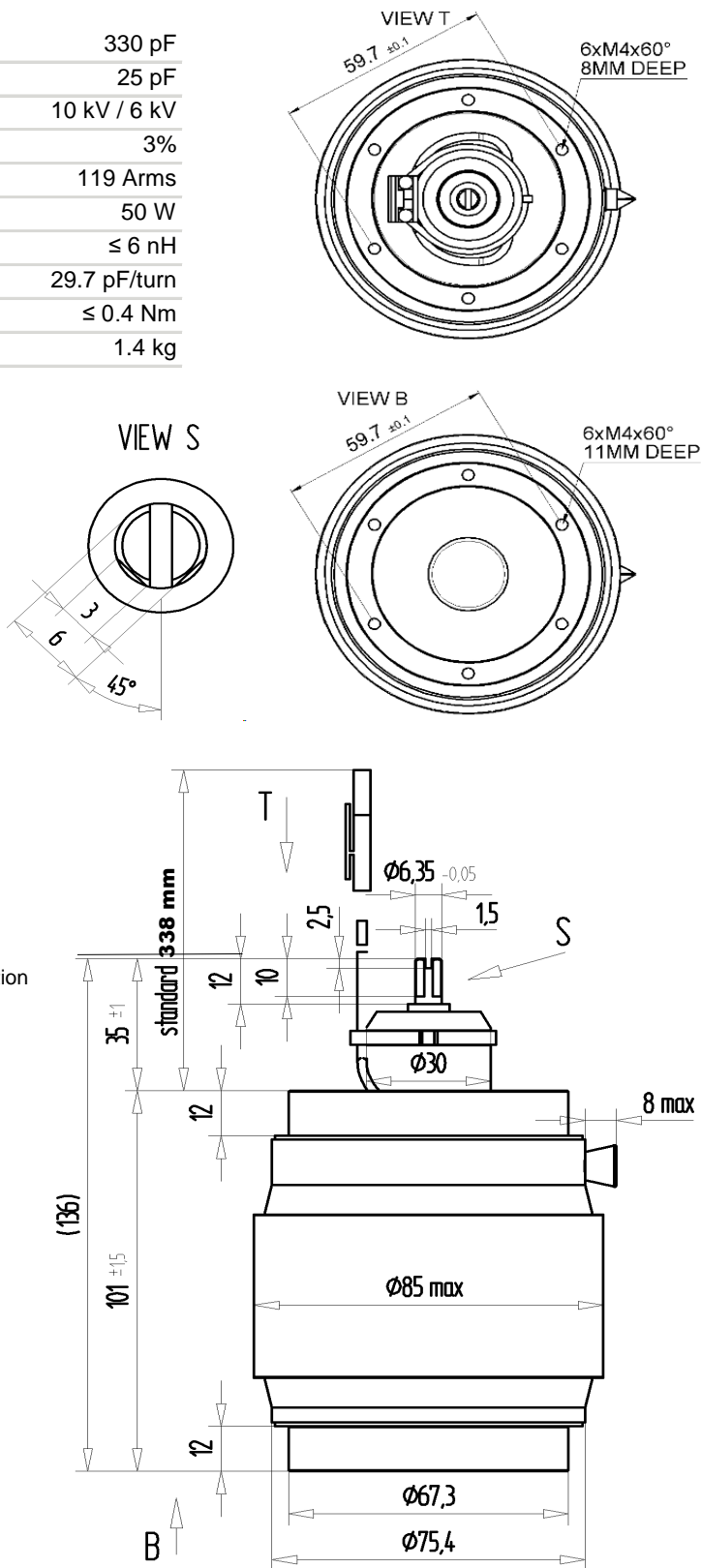
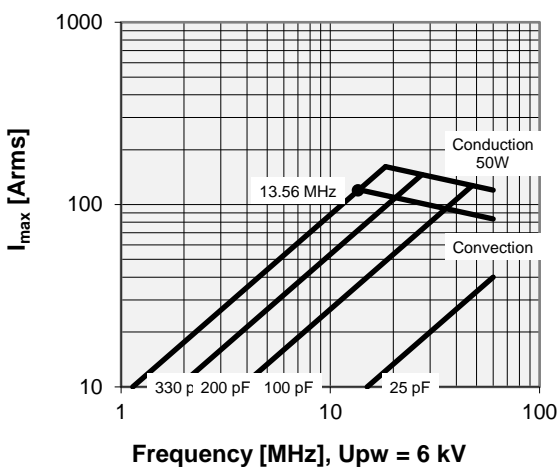
Old Type Designation: CV1C-330HDE

## Specifications

Capacity $C_{max}$ (nominal)	330 pF
Capacity $C_{min}$ (nominal)	25 pF
Voltage (Peak Test $U_{pt}$ / Peak Working $U_{pw}$ )	10 kV / 6 kV
Capacity Tolerance (linear Range)	3%
Max. Current $I_{max}$ at 13.56 MHz with	119 Arms
Conduction Cooling	50 W
Self Inductance	$\leq 6$ nH
Capacitance per turn	29.7 pF/turn
Torque	$\leq 0.4$ Nm
Net Weight	1.4 kg



$I_{max}$  at 25°C ambient and 125°C surface temp. for convection and conduction (50 W) cooling



Note:  
 Technical information in Service Bulletins  
 SB-32 and SB-52 must be considered  
 Subject to change without prior notice

Issue: 14-Feb-2019  
 Replaces: 19-Jun-2015

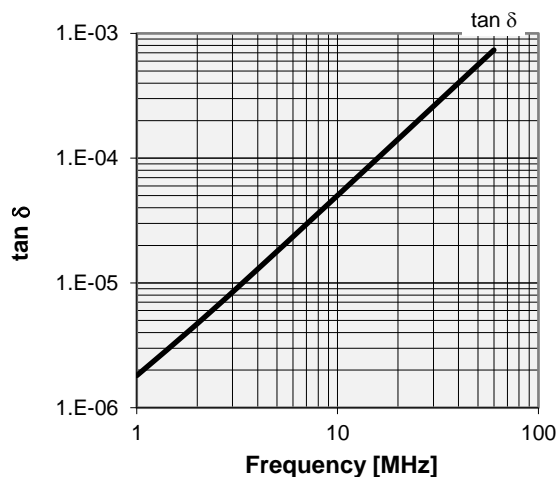
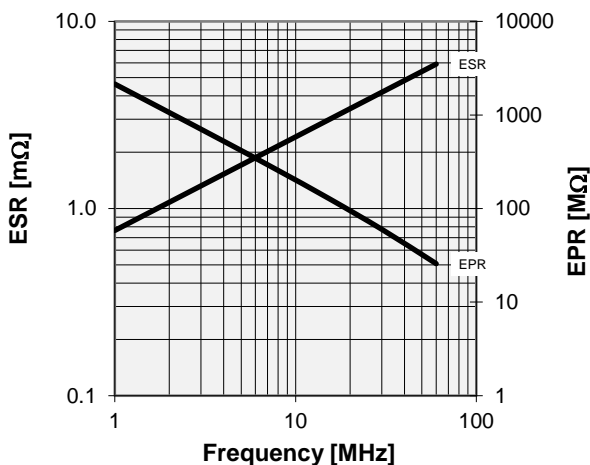
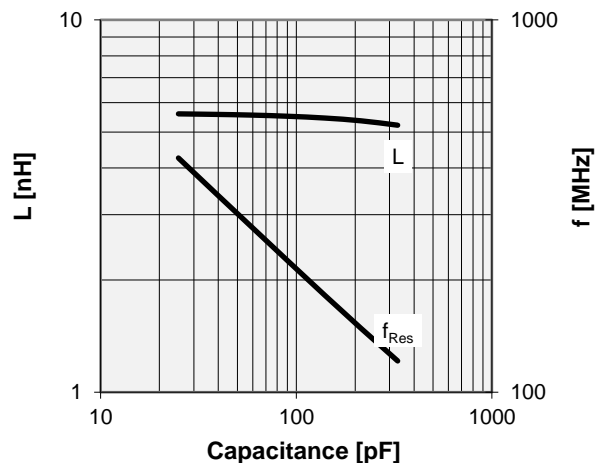
# CVHE-330AC/10-BEAA-CF

Old Type Designation: CV1C-330HDE

Turns	Nominal Capacitance [pF]	Tolerance
-0.6	25.0	3%
-0.5	26.2	3%
0.0	38.8	0%
2.0	96.6	3%
4.0	156.2	3%
6.0	215.9	3%
8.0	275.5	3%
9.8	330.0	3%

Mechanical stop at < 25 pF at ~ -11.6 turns  
 Mechanical stop at > 330 pF at ~ 10.2 turns

Self inductance and resonance frequency



<b>Special Features:</b>
Opti-Cap 2000, Capacity Tolerance 3%

Note:  
 Technical information in Service Bulletins  
 SB-32 and SB-52 must be considered  
 Subject to change without prior notice