



150 Dodd Street SE  
Marietta, GA. 30060

Phone: 770-973-6251  
Fax: 678-401-3854

Email: [info@mgs4u.com](mailto:info@mgs4u.com)  
Website: [www.mgs4u.com](http://www.mgs4u.com)

Single Banana Plug (RED) to BNC female Adapter



### Technical Data Sheet

This Single Banana Plug to BNC female adapter is one of several thousand RF products available from Max-Gain Systems, Inc. This adapter is a between series coaxial adapter.

This adapter is made from a precision-molded Polyethylene body for superior performance and value. This Single Banana plug to BNC female adapter has a Delrin dielectric and a gold (BNC side) and a nickel (Single Banana plug side) plated brass center pin. The Single Banana plug side is useful in test equipment, amplifiers, and audio speaker applications. The BNC female side accepts the BNC male tabs or “bayonets” for quick and reliable connections and disconnections.

### Material Specifications

Single Banana Plug to BNC female Adapter

Part Number 7119-R

Description	Material	Plating
Center Pin	Copper	Gold
Insulator	Delrin	White
Body (BNC)	Zinc	Nickel
Body	Polyethylene	RED
Terminals	Copper	Nickel

## Mechanical Specifications

Size	Dimension
Length	2.15 in (54.6 mm)
Width	0.5 in (12.7 mm)
Height	0.5 in (12.7 mm)
Weight	0.42 oz (12 g)

## Electrical Specifications

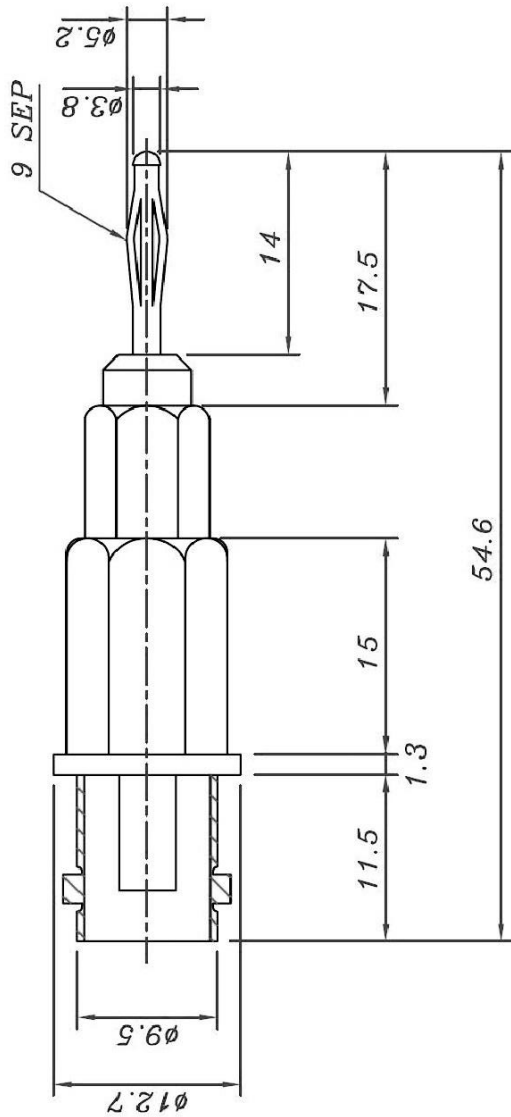
Specification	Value
Voltage	500 Volts RMS

## Environmental Specifications

Temperature	Spec
Operating Range	-65 to +165 deg C

## Compliance Certifications (see product page for current documentation)

**Availability** Click the following link (or enter part number in the “SEARCH” bar at the top of any page of the website) to obtain additional part information including price, inventory and certifications: <https://mgs4u.com/product/single-banana-plug-red-to-bnc-female/>



# MIGS MAX-GAIN SYSTEMS, INC.

Max-Gain Systems, Inc.  
 150 Dodd Street SE, Marietta, GA. 30060  
 Phone: (770) 973-6251 | Fax: (678) 401-3854  
 Website: www.mgs4u.com | E-Mail: sales@mgs4u.com

TITLE: Single Banana Plug (RED) to BNC female

DRAWING NO: 7119-R

**ROHS COMPLIANT**

UNIT WEIGHT: 12g



NO	DESCRIPTION	MATERIAL	Q'TY	FINISH	ITEM
05	CENTER PIN	COPPER		GOLD	
04	INSULATOR	DELIN		WHITE	
03	BODY (BNC)	ZINC		NICKLE	
02	BODY	POLYETHYLENE		RED	
01	BANANA PLUG	COPPER		NICKLE	
NO	DESCRIPTION	MATERIAL	Q'TY	FINISH	ITEM