



150 Dodd Street SE
Marietta, GA. 30060

Phone: 770-973-6251
Fax: 678-401-3854

Email: info@mgs4u.com
Website: www.mgs4u.com

TNC male to RP-TNC female Adapter



Technical Data Sheet

This TNC male to RP-TNC female adapter is one of several thousand RF products available from Max-Gain Systems, Inc. This adapter is a between series coaxial adapter.

This adapter is made from a Solid Brass body that is precision machined and plated with Nickel for superior performance and value. This TNC male to RP-TNC female adapter has a Delrin dielectric and a gold plated brass center pin. The TNC male side provides a threaded connection very similar to a BNC connection, substituting the bayonets for threads. The RP-TNC female side provides the pins that are normally found in TNC male connections, RP-TNC connections are popular in wireless and Wi-Fi applications.

Material Specifications

TNC male to RP-TNC female Adapter

Part Number 8944

| Description | Material | Plating |
|-------------|----------|---------|
| Insulator | Delrin | White |
| Shell | Brass | Nickel |
| Pin | Brass | Gold |
| Insulator | Delrin | White |
| Body | Brass | Nickel |

Mechanical Specifications

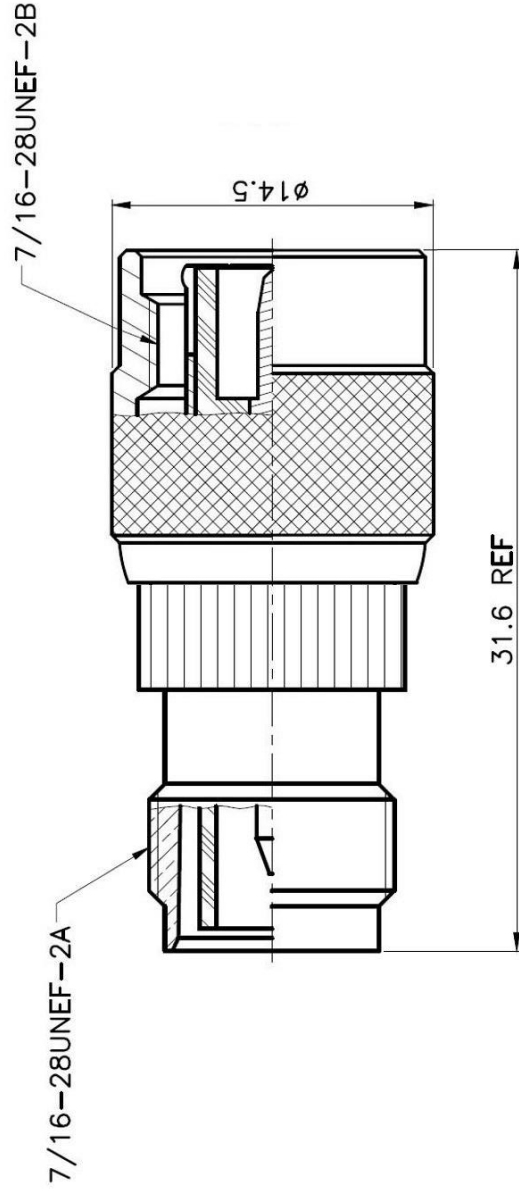
| Size | Dimension |
|--------|-------------------|
| Length | 1.25 in (31.7 mm) |
| Width | 0.57 in (14.5 mm) |
| Height | 0.57 in (14.5 mm) |
| Weight | 0.6 oz (18 g) |

Environmental Specifications

| Temperature | Spec |
|-----------------|-------------------|
| Operating Range | -65 to +165 deg C |

Compliance Certifications (see product page for current documentation)

Availability Click the following link (or enter part number in the “SEARCH” bar at the top of any page of the website) to obtain additional part information including price, inventory and certifications: <https://mgs4u.com/product/tnc-male-to-rp-tnc-female-adapter-8943/>



MGS MAX-GAIN SYSTEMS, INC.

Max-Gain Systems, Inc.
 150 Dodd Street SE, Marietta, GA, 30060
 Phone: (770) 973-6251 | Fax: (678) 401-3654
 Website: www.mgs4u.com | E-Mail: sales@mgs4u.com

TITLE: TNC male to RP-TNC female Adapter

DRAWING NO: 8943

FILE NO :

| PART NO | DATE | APPROVED | DATE | CHECKED | DATE | DRAWN | DATE |
|---------------------------------------|----------|----------|------|---------|------|-------|------|
| | | | | | | | |
| UNLESS OTHERWISE SPECIFIED TOLERANCES | | | | | | | |
| 0.5-5 | ±0.2 | | | | | | |
| 5-30 | ±0.4 | | | | | | |
| 30-120 | ±0.6 | | | | | | |
| 120-315 | ±1 | | | | | | |
| 315-1000 | ±1.6 | | | | | | |
| 1000-2000 | ±2.4 | | | | | | |
| UNIT: mm | | | | | | | |
| SCALE: . | | | | | | | |
| | | | | | | | |
| SHELL | BRASS | NICKEL | 1 | | | | |
| C RING | BRASS | NONE | 1 | | | | |
| GASKET | RUBBER | RED | 1 | | | | |
| PIN | BRASS | GOLD | 1 | | | | |
| INSULATOR | DELTRIN | WHITE | 1 | | | | |
| BODY | BRASS | NICKEL | 1 | | | | |
| NO. DESCRIPTION | MATERIAL | FINISH | QTY | | | | |