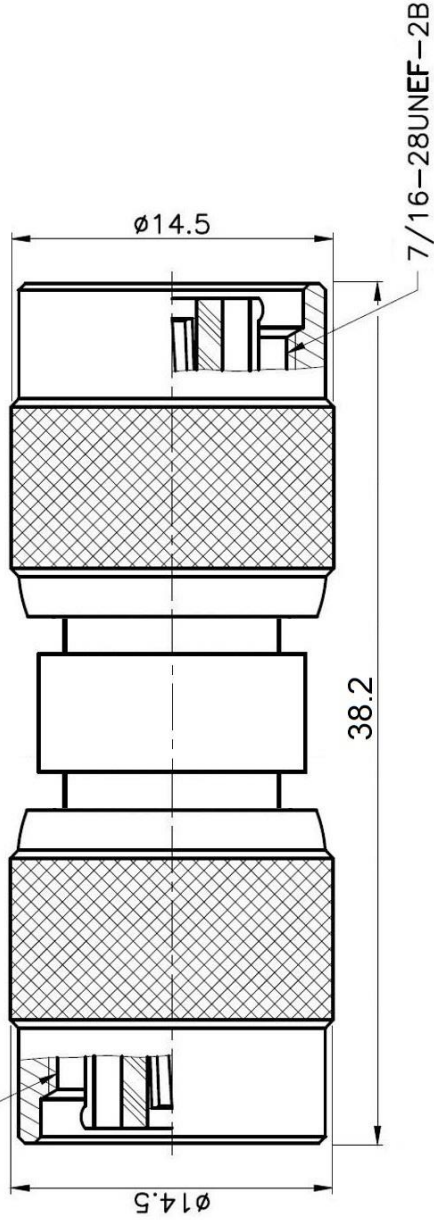


7/16-28UNEF-2B



Max-Gain Systems, Inc.
 150 Dodd Street SE, Marietta, GA, 30060
 Phone: (770) 973-6251 | Fax: (678) 401-3654
 Website: www.mgs4u.com | E-Mail: sales@mgs4u.com

TITLE: RP-TNC male to RP-TNC male Adapter
 DRAWING NO: 8914
 FILE NO :

PART NO		DATE		
APPROVED		DATE		
CHECKED		DATE		
DRAWN		DATE		
UNLESS OTHERWISE SPECIFIED TOLERANCES				
0.5-5	= ±0.2			
5-30	= ±0.4			
30-120	= ±0.6			
120-315	= ±1.0			
315-1000	= ±1.6			
1000-2000	= ±2.4			
UNIT: mm				
SCALE: .				
NO.	DESCRIPTION	MATERIAL	QTY	FINISH
			1	
			1	
	SHELL	BRASS	1	NICKEL
	PIN	BRASS	1	GOLD
	INSULATOR BODY	DELTRIN	1	WHITE
		BRASS	1	NICKEL
			1	FINISH