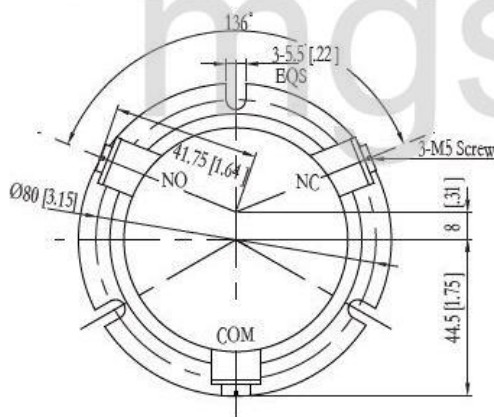
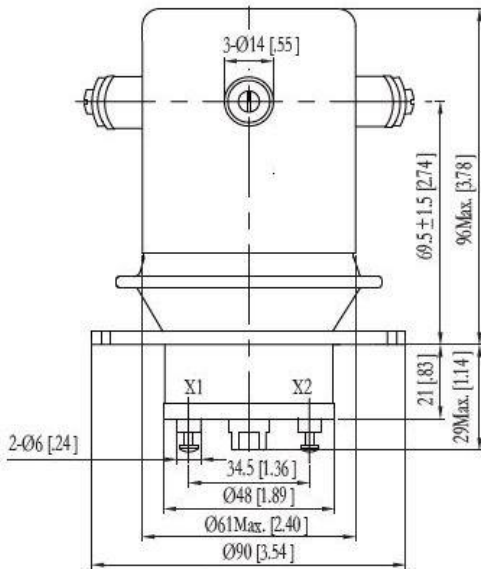


V52

- Carry current 150A DC, small size
- Low and stable contact resistance minimizes the loss in RF circuits
- Solder or threaded mounting options



Coil Terminals X1&X2
Not Polarity Sensitive

PRODUCT SPECIFICATIONS

Item	Unit	Value	
Contact Form	—	C	
Contact Arrangement	—	SPDT	
Maximum Peak Test Voltage, Contacts and to Base (15µA Leak Current Max.) dc or 60Hz	kV	30	
Contact Material (moveable/stationary)			
Maximum Peak Operating Voltage, Contacts and to Base (15µA Leak Current Max.)	dc or 60Hz	kV	25
	2.5MHz	kV	15
	13.56MHz	kV	10
	32MHz	kV	7
Current, Continuous Carry Max	dc or 60Hz	A	150
	2.5MHz	A	120
	13.56MHz	A	75
	32MHz	A	30
Coil Hi-Pot (V RMS, 60 Hz)	V	500	
Capacitance	Across Open Contacts	pF	5
	Contacts to Ground	pF	5
Operate Time	ms	100	
Release Time	ms	15	
Resistance, Contact Max @ 1A, 28 Vdc	Ω	.005	
Operating Temperature Ambient	°C	-55 ~ +125	
Shock, Operating, 1/2 Sine 11ms (Peak)	G's	30	
Vibration, Operating, Sine (10-2000 Hz Peak)	G's	10	
Life, Mechanical	Cycles	1 million	
Weight, Nominal	g(oz)	1060(37)	

COIL RATINGS

Nominal, Volts dc	12	26.5
Pick-up, Volts dc, Max.	8	16
Drop-Out, Volts dc	.5~5	1~10
Coil Resistance (Ω ± 10%)	15	60

Ratings Listed are for 25°C, Sea Level Conditions

PART NUMBER SYSTEM

Series: High Voltage/Power **V52 — W F — 12 Vdc**

Terminal Connections

Contact Leads Out: W=Screw

Mounting: F=Flange

Coil Voltage: Blank=26.5Vdc, —12Vdc=12Vdc