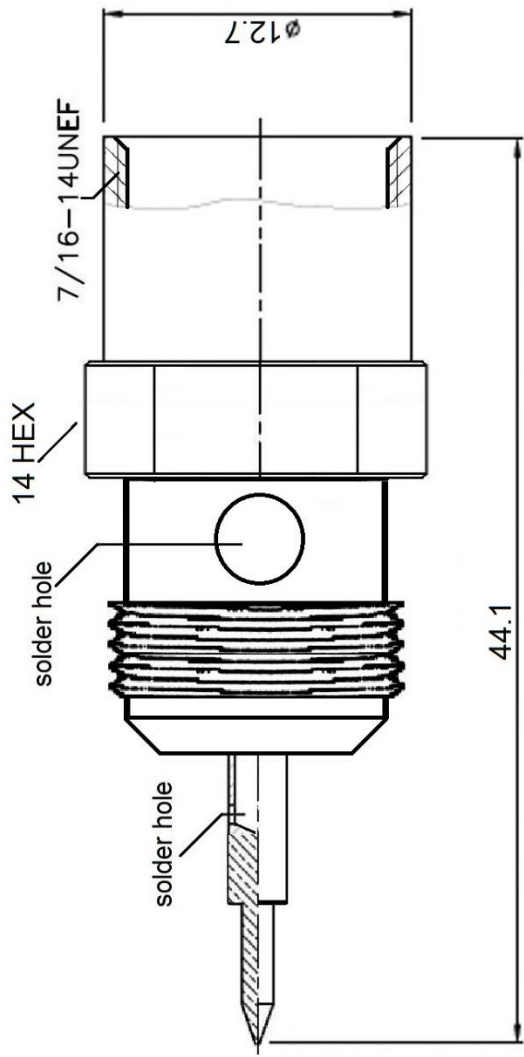
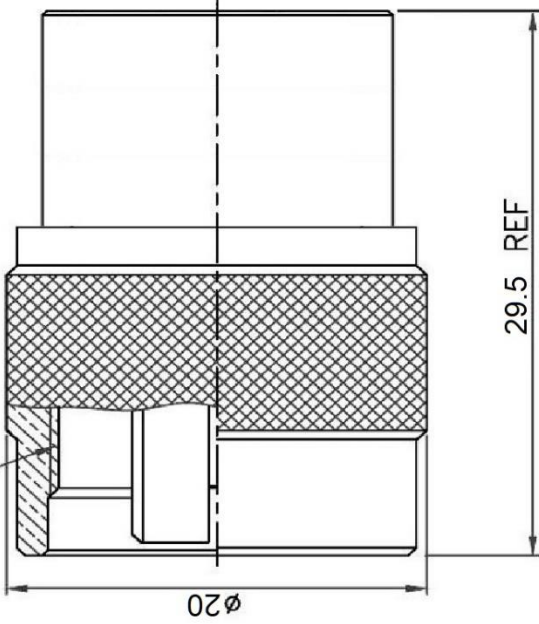


5/8-24UNEF-2B

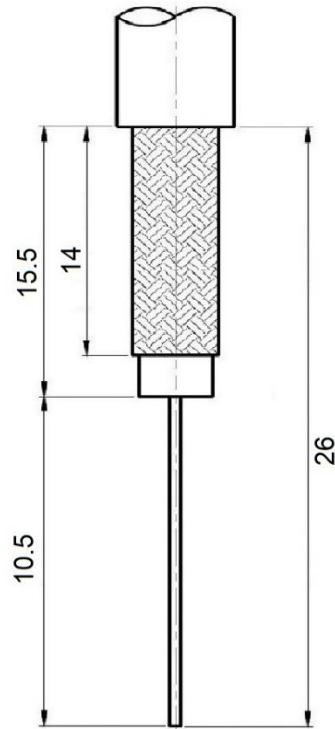


**FIT:**  
For all 0.390 OD Coax Types Including RG-8, RG-213, Belden 9913, LMR-400

**w/ 7508-S Reducer**  
For all 0.240 OD Coax Types Including RG-8X, mini 8, RG-59, Belden 9258, LMR-240

**w/ 507-S Reducer**  
For all 0.195 OD Coax Types Including RG-58, RG-142, RG-223, RG-400, LMR-195

**w/ 7506-S Reducer**  
For all 0.100 OD Coax Types Including RG-174, RG-178, RG-188, RG-196, Belden 8216, LMR-100



RECOMMENDED  
CABLE STRIPPING DIM'S

**MGS** MAX-GAIN SYSTEMS, INC.

Max-Gain Systems, Inc.  
150 Dodd Street SE, Marietta, GA, 30060  
Phone: (770) 973-6251 | Fax: (678) 401-3854  
Website: www.mgs4u.com | E-Mail: sales@mgs4u.com

TITLE: Type N Male Solder On, for LMR-400, RG-213, RG-8 and other 0.400 and 0.390" Coax

DRAWING NO: 7303-N-400  
FILE NO :

		UNLESS OTHERWISE SPECIFIED TOLERANCES		PART NO	DATE
FERRULE	BRASS	0.5-5	±0.2	APPROVED	DATE
PIN	BRASS	5-30	±0.4	CHECKED	DATE
SHELL	BRASS	30-120	±0.5	DRAWN	DATE
GASKET	SILICONE	120-315	±1		
INSULATOR	TEFLON	315-1000	±1.6		
BODY	BRASS	1000-2000	±2.4		
NO. DESCRIPTION	MATERIAL	FINISH	QTY		

UNIT: mm  
SCALE: -