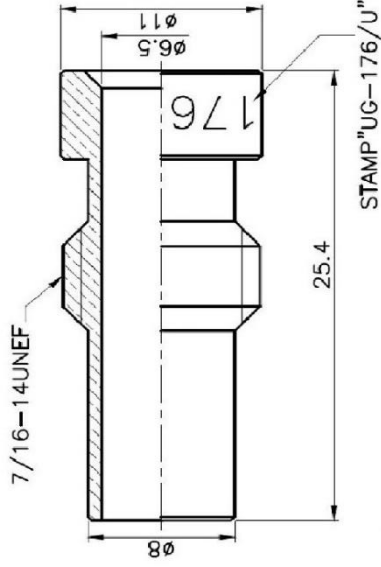
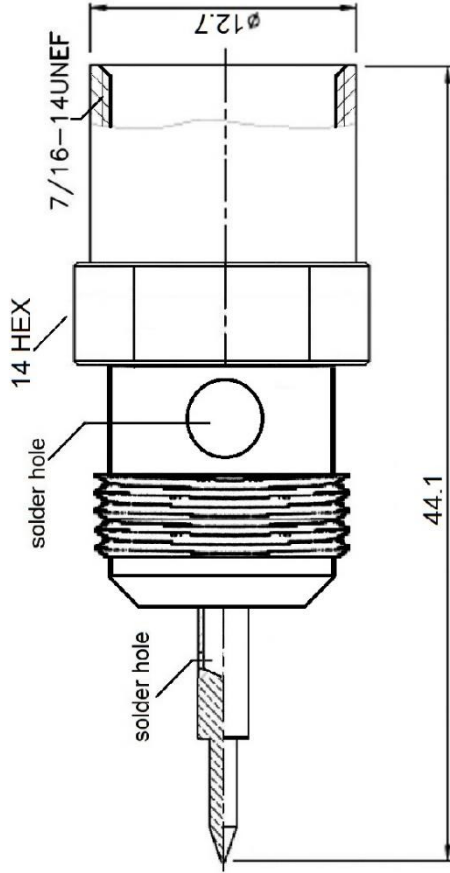
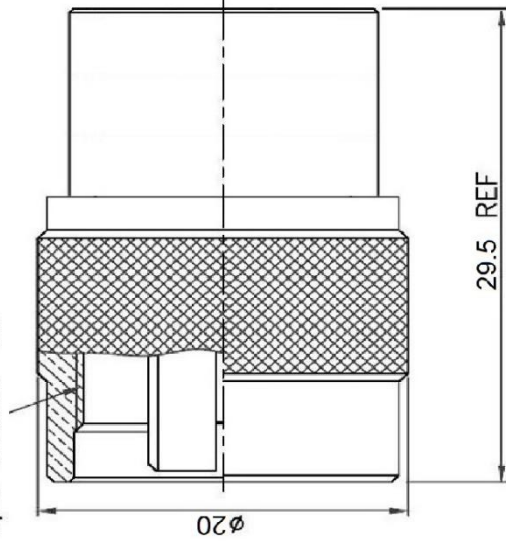
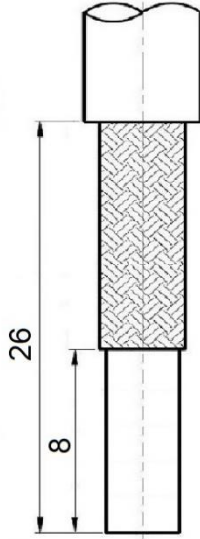


5/8-24UNEF-2B

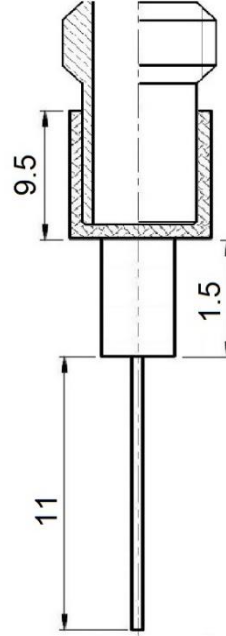


FIT:
 For all 0.390 to 0.400 OD Coax Types including RG-8, RG-213, Belden 9913, LMR-400
w/ 7508-S Reducer
 For all 0.240 OD Coax Types Including RG-8X, mini 8, RG-59, Belden 9258, LMR-240
w/ 507-S Reducer
 For all 0.195 OD Coax Types Including RG-58, RG-142, RG-223, RG-400, LMR-195
w/ 7506-S Reducer
 For all 0.100 OD Coax Types Including RG-174, RG-178, RG-188, RG-196, Belden 8216, LMR-100

STEP 1



STEP 2



Alternate stripping required when NOT using reducers

MGS MAX-GAIN SYSTEMS, INC.

Max-Gain Systems, Inc.
 150 Dodd Street SE, Marietta, GA, 30060
 Phone: (770) 973-6251 | Fax: (678) 401-3854
 Website: www.mgs4u.com | E-Mail: sales@mgs4u.com

TITLE: Type N Male Solder On, w/ Reducer for 0.240 Inch OD Coax
 DRAWING NO: 7303-N-8X
 FILE NO :

UNLESS OTHERWISE SPECIFIED TOLERANCES		PART NO	DATE	
0.5-5	±0.2	APPROVED	DATE	
5-30	±0.4	CHECKED	DATE	
30-120	±0.6	DRAWN	DATE	
120-315	±1			
315-1000	±1.6			
1000-2000	±2.4			
	UNIT: mm			
	SCALE: -			
NO.	DESCRIPTION	MATERIAL	FINISH	QTY
	FERRULE	BRASS	SILVER	
	PIN	BRASS	GOLD	
	SHELL	BRASS	SILVER	1
	GASKET	SILICONE	ORANGE	1
	INSULATOR	TEFLON	WHITE	1
	BODY	BRASS	SILVER	1
		MATERIAL	FINISH	