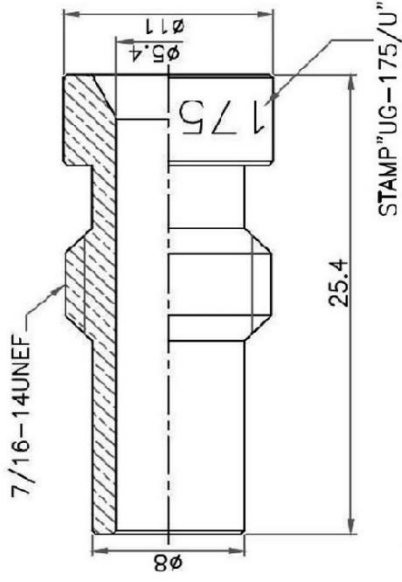
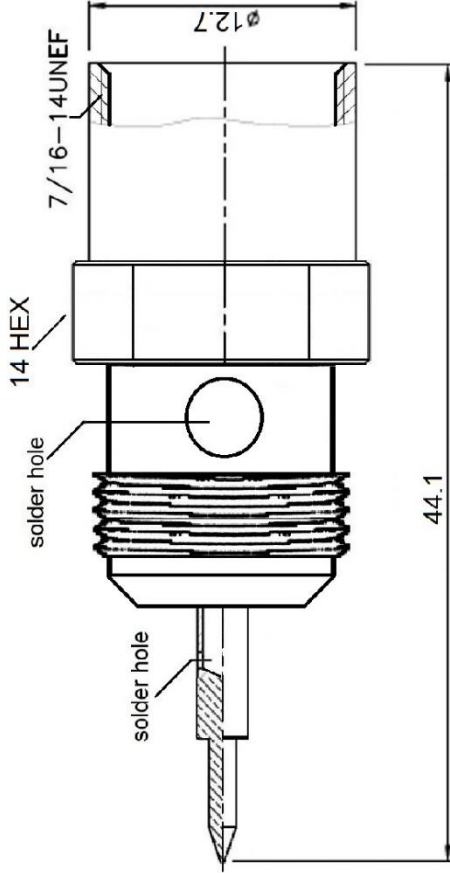
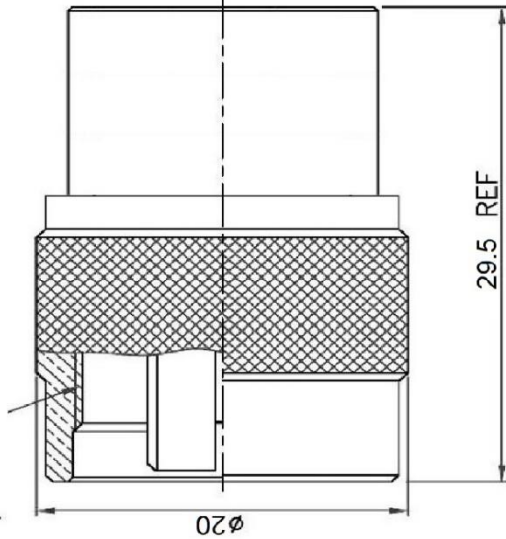


5/8-24UNEF-2B



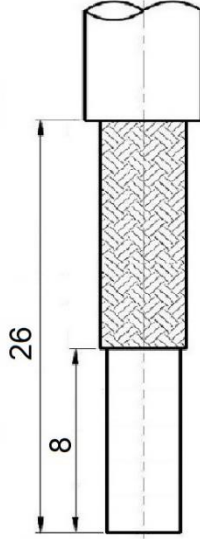
**FIT:**  
For all 0.390 to 0.400 OD Coax Types Including RG-8, RG-213, Belden 9913, LMR-400

**w/ 7508-S Reducer**  
For all 0.240 OD Coax Types Including RG-8X, mini 8, RG-59, Belden 9258, LMR-240

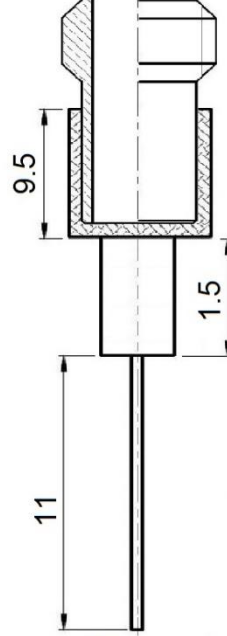
**w/ 507-S Reducer**  
For all 0.100 OD Coax Types Including RG-58, RG-142, RG-223, RG-400, LMR-195

**w/ 7506-S Reducer**  
For all 0.195 Inch OD Coax Types Including RG-174, RG-178, RG-188, RG-196, Belden 8216, LMR-100

**STEP 1**



**STEP 2**



Alternate stripping required  
when NOT using reducers

**MGS** MAX-GAIN SYSTEMS, INC.

Max-Gain Systems, Inc.  
150 Dodd Street SE, Marietta, GA, 30060  
Phone: (770) 973-6251 | Fax: (678) 401-3854  
Website: www.mgs4u.com | E-Mail: sales@mgs4u.com

TITLE: Type N Male Solder On, w/ Reducer  
for 0.195 Inch OD Coax

DRAWING NO: 7303-N-58

FILE NO :

		UNLESS OTHERWISE SPECIFIED TOLERANCES		PART NO	DATE
FERRULE	BRASS	0.5-5	$\pm 0.2$	APPROVED	DATE
PIN	BRASS	5-30	$\pm 0.4$	CHECKED	DATE
SHELL	BRASS	30-120	$\pm 0.6$	DRAWN	DATE
GASKET	SILICONE	120-315	$\pm 1$		
INSULATOR	TEFLON	315-1000	$\pm 1.6$		
BODY	BRASS	1000-2000	$\pm 2.4$		
NO. DESCRIPTION	MATERIAL	FINISH	QTY	UNIT: mm	SCALE: -