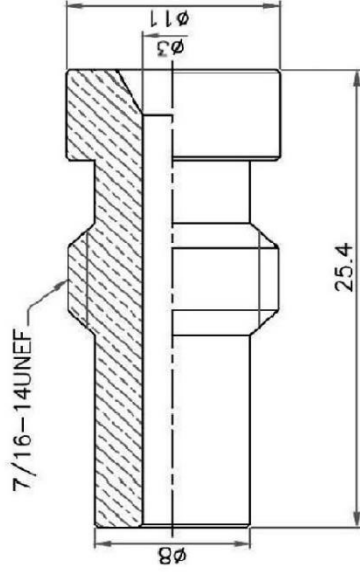
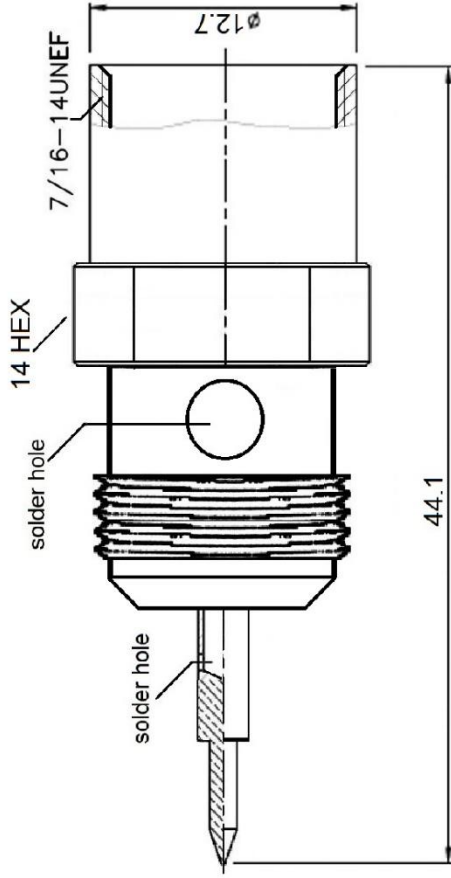
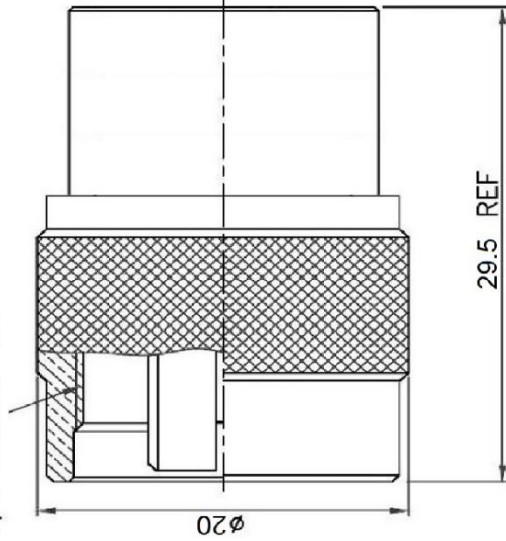


5/8-24UNEF-2B



**FIT:**

For all 0.390 to 0.400 OD Coax Types Including RG-8, RG-213, Belden 9913, LMR-400

**w/ 7508-S Reducer**

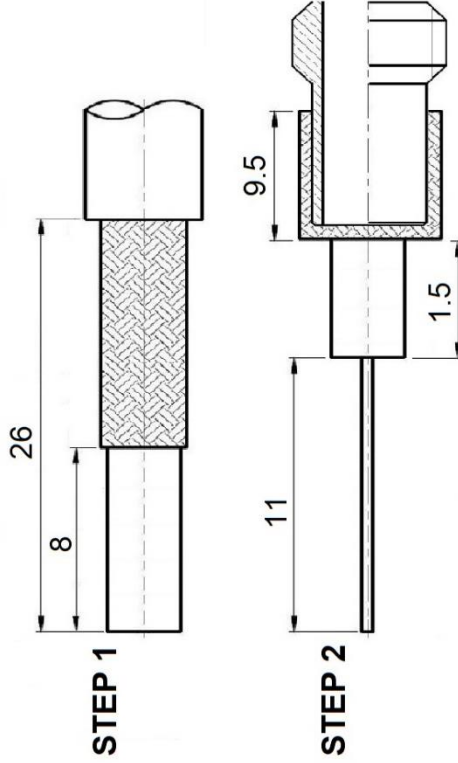
For all 0.240 OD Coax Types Including RG-8X, mini 8, RG-59, Belden 9258, LMR-240

**w/ 507-S Reducer**

For all 0.195 OD Coax Types Including RG-58, RG-142, RG-223, RG-400, LMR-195

**w/ 7506-S Reducer**

For all 0.100 OD Coax Types Including RG-174, RG-178, RG-188, RG-196, Belden 8216, LMR-100



Alternate stripping required when NOT using reducers

**MGS** MAX-GAIN SYSTEMS, INC.

Max-Gain Systems, Inc.  
150 Dodd Street SE, Marietta, GA. 30060  
Phone: (770) 973-6251 | Fax: (678) 401-3854  
Website: www.mgs4u.com | E-Mail: sales@mgs4u.com

TITLE: Type N Male Solder On, w/ Reducer for 0.100 Inch OD Coax

DRAWING NO: 7303-N-174

FILE NO :

		PART NO	DATE
		APPROVED	DATE
		CHECKED	DATE
		DRAWN	DATE
		UNIT: mm	
		SCALE: -	
UNLESS OTHERWISE SPECIFIED TOLERANCES			
0.5-5	±0.2		
5-30	±0.4		
30-120	±0.6		
120-315	±1		
315-1000	±1.6		
1000-2000	±2.4		
FERRULE	PIN	SILVER	DATE
		GOLD <td></td>	
SHELL	GASKET	SILVER	DATE
		ORANGE <td></td>	
INSULATOR	BODY	WHITE	DATE
		SILVER <td></td>	
NO. DESCRIPTION	MATERIAL	FINISH	QTY