

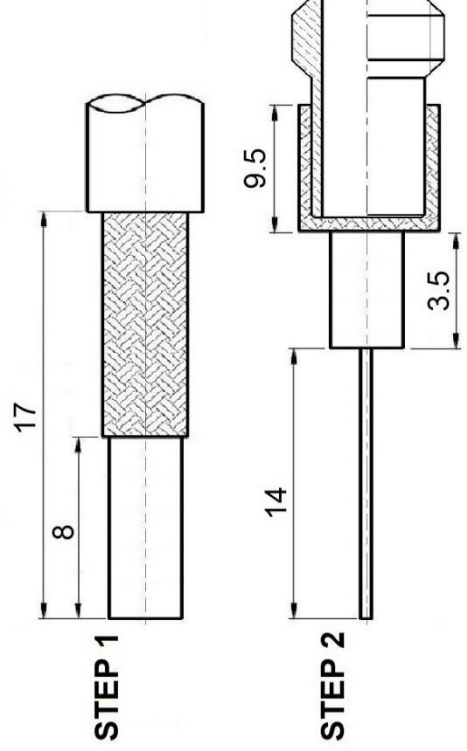
**SPECIFICATIONS**  
 VOLTAGE RATING: 500 VOLTS RMS  
 IMPEDANCE: NON CONSTANT  
 FREQUENCY RANGE: 0-300

**FIT:**  
 For all 0.390 to 0.400 OD Coax Types Including RG-8, RG-213, Belden 9913, LMR-400

**w/ 7508-S Reducer**  
 For all 0.240 OD Coax Types Including RG-8X, mini 8, RG-59, Belden 9258, LMR-240

**w/ 507-S Reducer**  
 For all 0.195 OD Coax Types Including RG-58, RG-142, RG-223, RG-400, LMR-195

**w/ 7506-S Reducer**  
 For all 0.100 OD Coax Types Including RG-174, RG-178, RG-188, RG-196, Belden 8216, LMR-100



Alternate stripping required when NOT using reducers



Max-Gain Systems, Inc.  
 150 Dodd Street SE, Marietta, GA, 30060  
 Phone: (770) 973-6251 | Fax: (678) 401-3854  
 Website: www.mgs4u.com | E-Mail: sales@mgs4u.com

**TITLE:** PL-259 UHF male Solder On, Quick Connect for 0.195 Inch OD Coax

**DRAWING NO:** 7500-QC-KIT-58  
**FILE NO :** .

UNLESS OTHERWISE SPECIFIED TOLERANCES		PART NO	DATE
0.5-5	±0.2	APPROVED	DATE
5-30	±0.4	CHECKED	DATE
30-120	±0.6	DRAWN	DATE
120-315	±1	UNIT: mm	
315-1000	±1.6	SCALE: .	
1000-2000	±2.4		
PIN	BRASS		
SHELL	BRASS		
DIELECTRIC	TEFLON		
BODY	BRASS		
NO. DESCRIPTION	MATERIAL		
	FINISH		