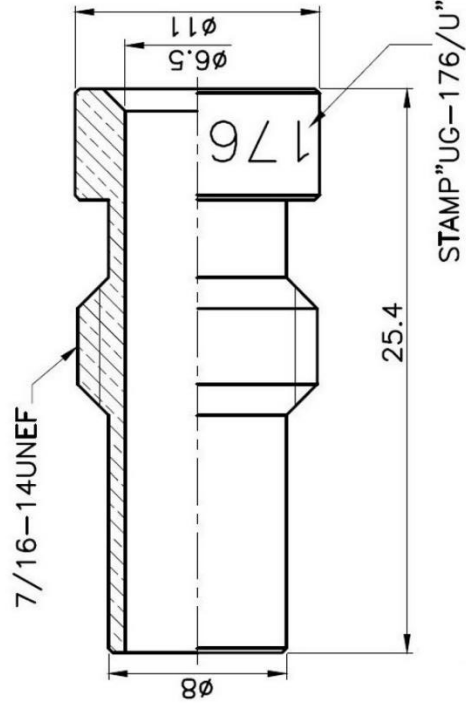
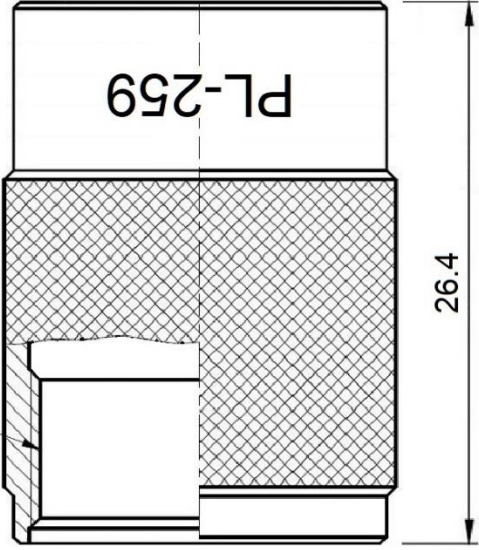
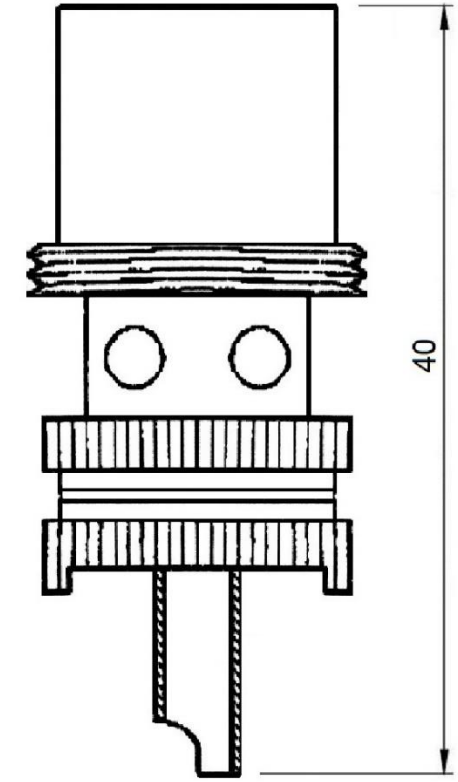


5/8-24UNEF-2B



**SPECIFICATIONS**

VOLTAGE RATING: 500 VOLTS RMS  
 IMPEDANCE: NON CONSTANT  
 FREQUENCY RANGE: 0-300

**FIT:**

For all 0.390 to 0.400 OD Coax Types Including RG-8, RG-213, Belden 9913, LMR-400

**w/ 7508-S Reducer**

For all 0.240 OD Coax Types Including RG-8X, mini 8, RG-59, Belden 9258, LMR-240

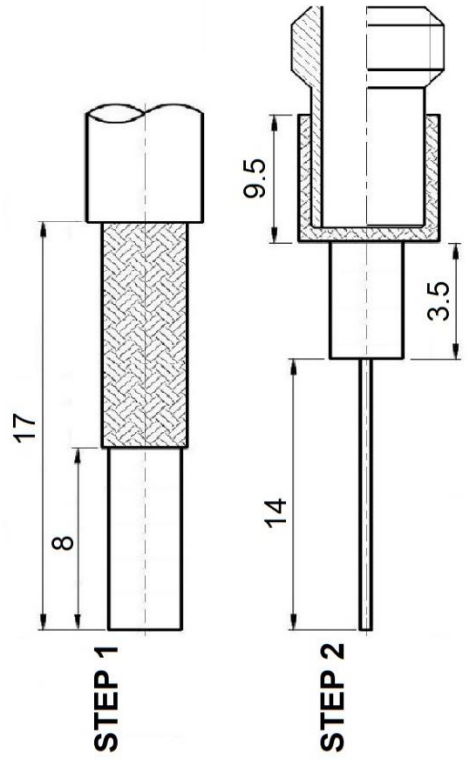
**w/ 507-S Reducer**

For all 0.195 OD Coax Types Including RG-58, RG-142, RG-223, RG-400, LMR-195

**w/ 7506-S Reducer**

For all 0.100 OD Coax Types Including RG-174, RG-178, RG-188, RG-196, Belden 8216, LMR-100

Alternate stripping required when NOT using reducers



Max-Gain Systems, Inc.  
 150 Dodd Street SE, Marietta, GA, 30060  
 Phone: (770) 973-6251 | Fax: (678) 401-3854  
 Website: www.mgs4u.com | E-Mail: sales@mgs4u.com

TITLE: PL-259 UHF male Solder On, w/ Reducer for 0.240 Inch OD Coax

DRAWING NO: 7500-UHF-8X  
 FILE NO: .

PART NO	DATE	UNLESS OTHERWISE SPECIFIED TOLERANCES
APPROVED	DATE	0.5-5 = ±0.2
CHECKED	DATE	5-30 = ±0.4
DRAWN	DATE	30-120 = ±0.6
		120-315 = ±1
		315-1000 = ±1.6
		1000-2000 = ±2.4
		UNIT: mm
		SCALE: .
PIN	SILVER	MATERIAL
SHELL	SILVER	FINISH
DIELECTRIC	WHITE	
BODY	SILVER	
NO. DESCRIPTION		