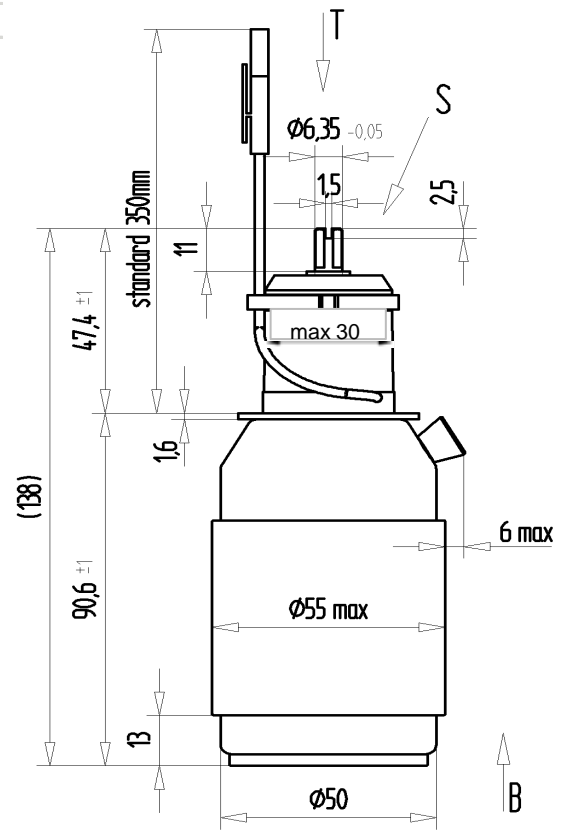
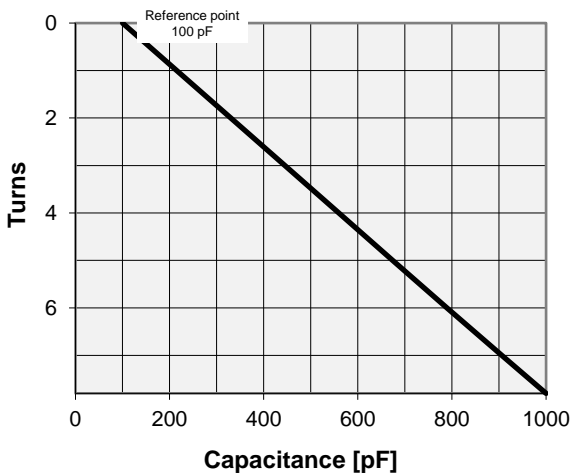
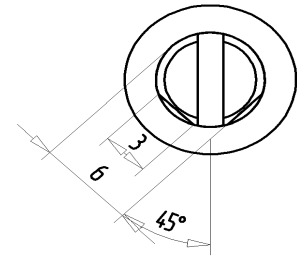


CVUN-1000AC/5-BEFA-C

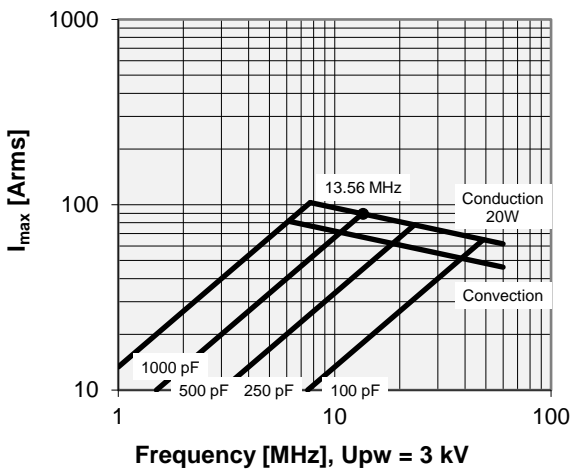
Specifications

Capacity C_{max} (nominal)	1000 pF
Capacity C_{min} (nominal)	100 pF
Voltage (Peak Test U_{pt} / Peak Working U_{pw})	5 kV / 3 kV
Capacity Tolerance (linear Range)	10%
Max. Current I_{max} at 13.56 MHz with	89 Arms
Conduction Cooling	20 W
Self Inductance	≤ 9 nH
Capacitance per turn	115.4 pF/turn
Torque	≤ 0.2 Nm
Net Weight	0.58 kg

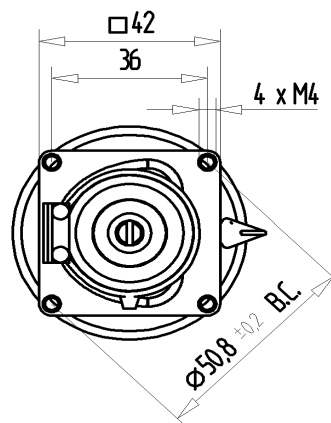
VIEW S



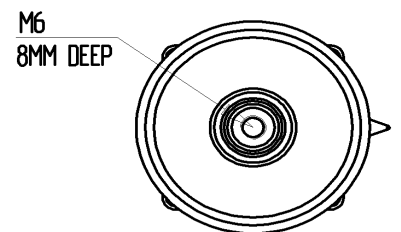
I_{max} at 25°C ambient and 125°C surface temp. for convection and conduction (20 W) cooling



VIEW T



VIEW B



Note:
 Technical information in Service Bulletins
 SB-32 and SB-52 must be considered
 Subject to change without prior notice

Issue: 10-Jun-2022
 Replaces: 27-Apr-2010
 pct.comet.tech

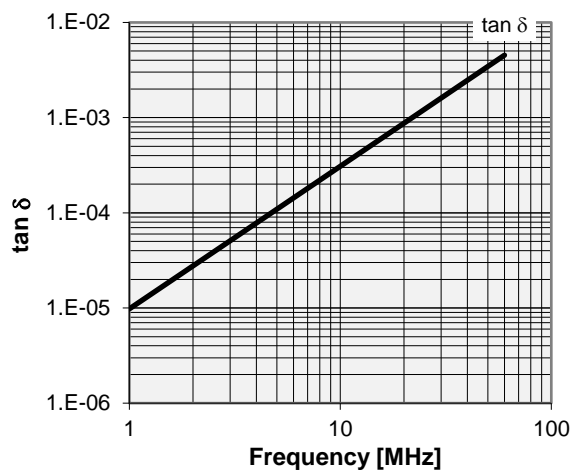
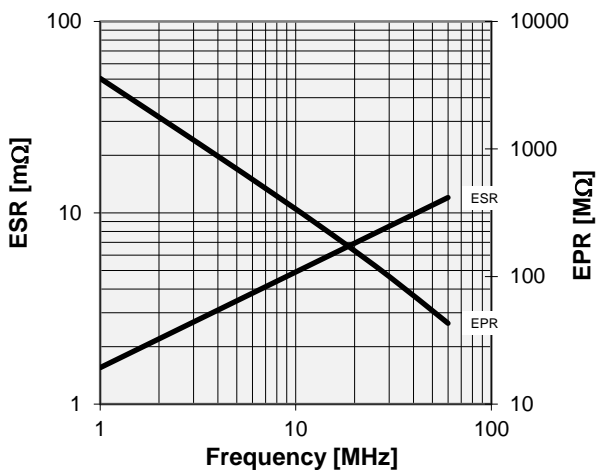
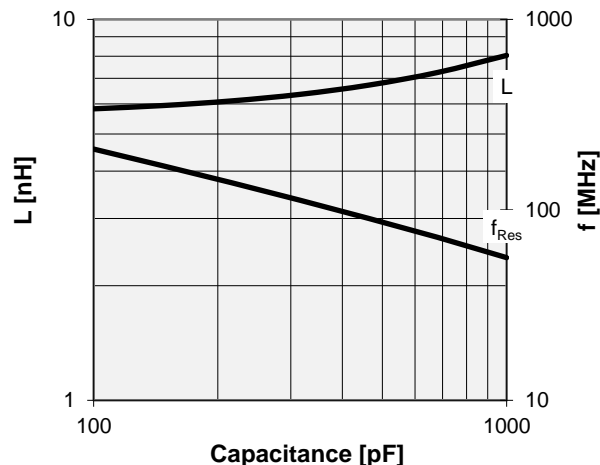
CVUN-1000AC/5-BEFA-C

Turns	Nominal Capacitance [pF]	Tolerance
0.0	100.0	0%
2.0	330.1	10%
4.0	559.6	10%
6.0	789.3	10%
7.8	1000.0	10%

Mechanical stop at < 100 pF at ~ -1.5 turns

Mechanical stop at > 1000 pF at ~ 8.4 turns

Self inductance and resonance frequency



Special Features:
Opti-Cap 2000

Note:
 Technical information in Service Bulletins
 SB-32 and SB-52 must be considered
 Subject to change without prior notice