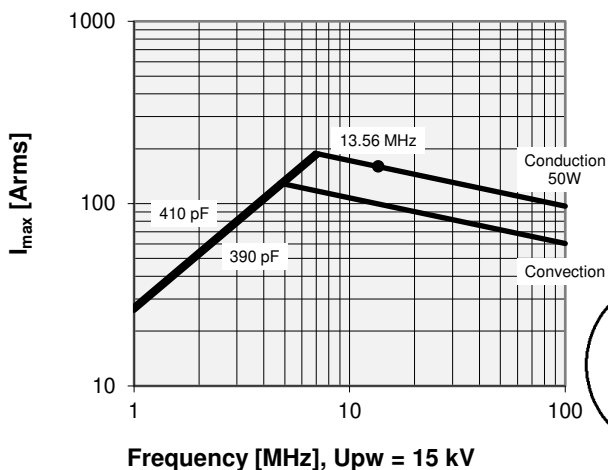


CTMN-400EAC/25-WL

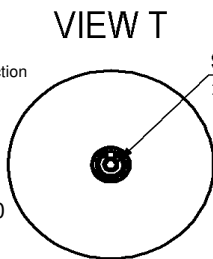
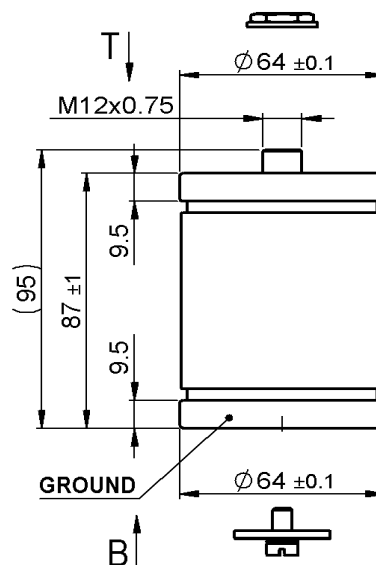
Specifications

Capacitance C_{max} (nominal)	410 pF
Capacitance C_{min} (nominal)	390 pF
Voltage (Peak Test U_{pt} / Peak Working U_{pw})	25 kV / 15 kV
Max. Current I_{max} at 13.56 MHz with	159 Arms
Conduction Cooling	50 W
Capacitance per Turn	6 pF/turn
Net Weight	1.2 kg
Torque	≤ 0.4 Nm

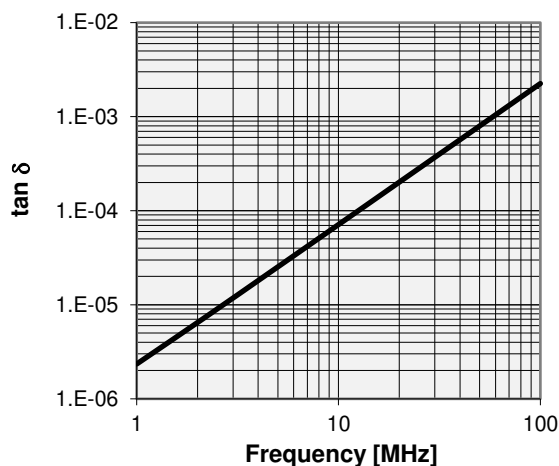
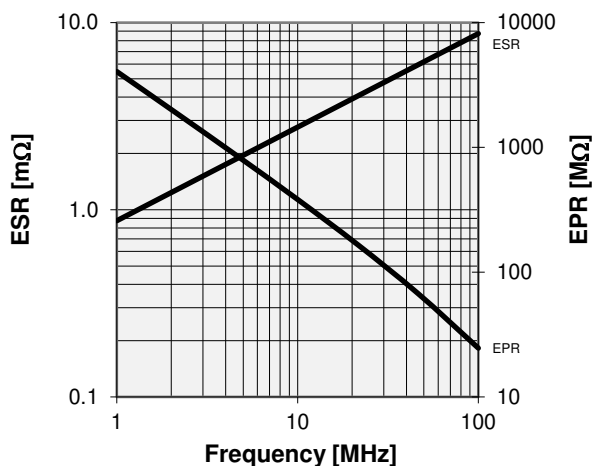
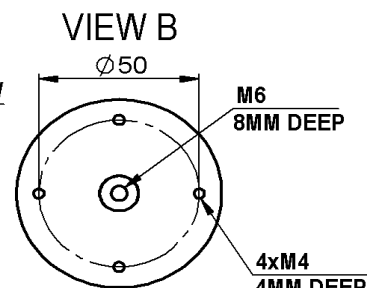
I_{max} at 25°C ambient and 125°C surface temp. for convection and conduction (50 W) cooling



Frequency [MHz], $U_{pw} = 15$ kV



SETTING SCREW
3MM HEX



Special Features:

RoHS Compliant

Note:

Technical information in Service Bulletin

SB-52 must be considered

Subject to change without prior notice

Issue: 03-Dec-2013

Replaces: 15-May-2013

pct.comet.tech