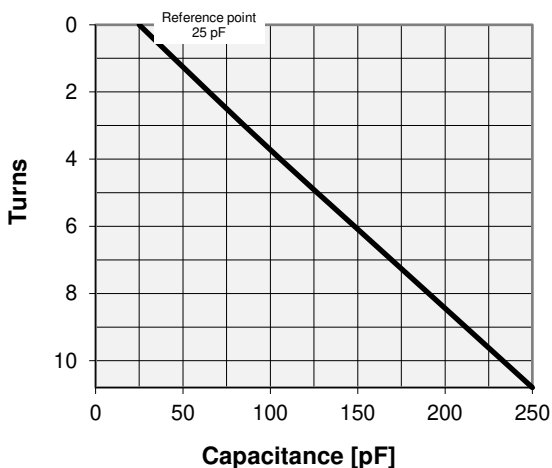


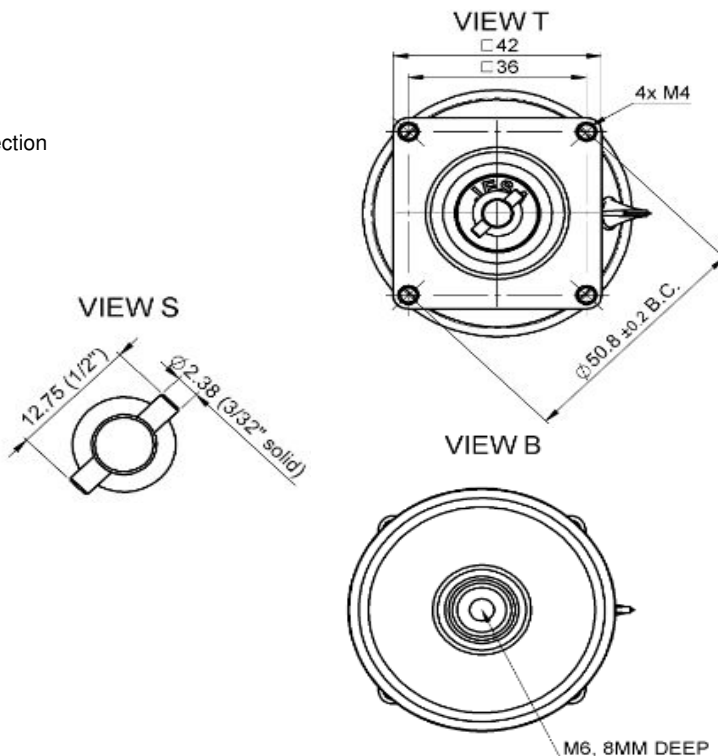
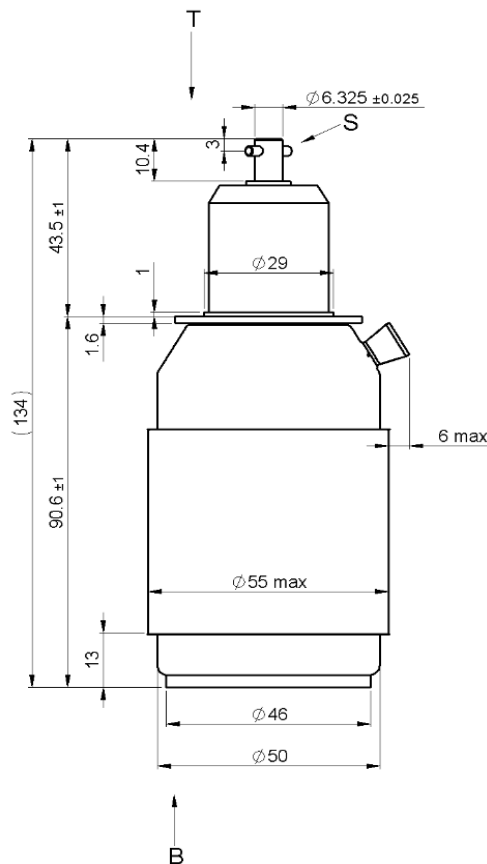
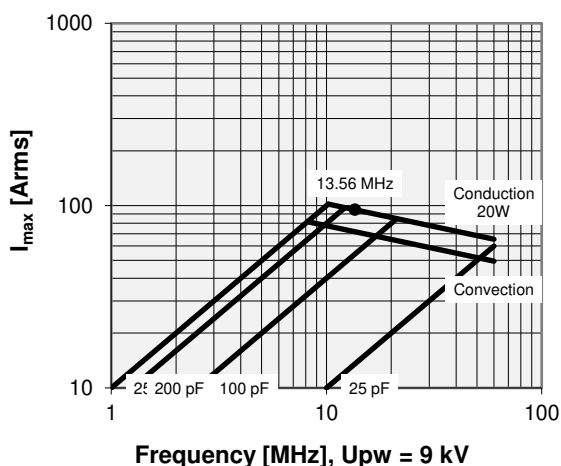
CVUN-250AC/15-BGJA-Z

Specifications

Capacitance C_{max} (nominal)	250 pF
Capacitance C_{min} (nominal)	25 pF
Voltage (Peak Test U_{pt} / Peak Working U_{pw})	15 kV / 9 kV
Capacitance Tolerance (linear Range)	10%
Max. Current I_{max} at 13.56 MHz with	94 Arms
Conduction Cooling	20 W
Self Inductance	≤ 8 nH
Capacitance per turn	20.8 pF/turn
Torque	≤ 0.2 Nm
Net Weight	0.5 kg



I_{max} at 25°C ambient and 125°C surface temp. for convection and conduction (20 W) cooling



Note:

Technical information in Service Bulletin SB-52 must be considered
Subject to change without prior notice

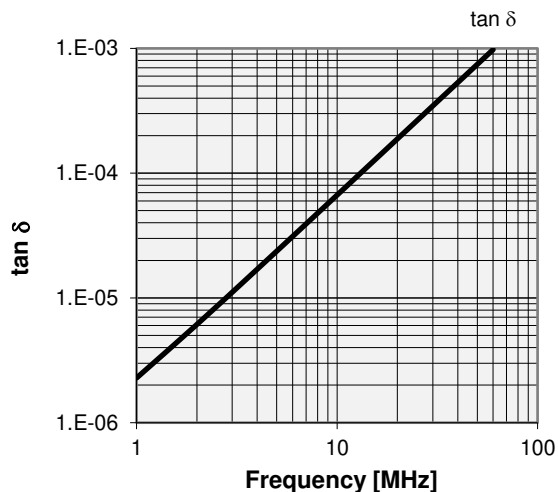
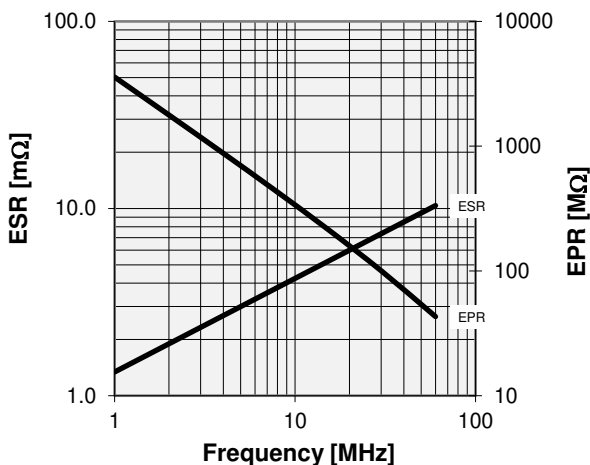
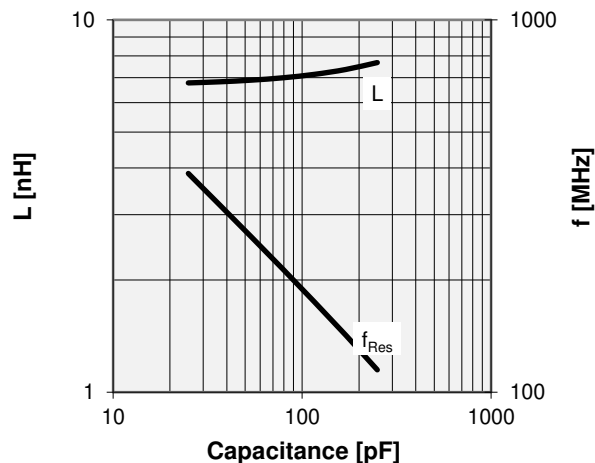
Issue: 10-Dec-2015

CVUN-250AC/15-BGJA-Z

Turns	Nominal Capacitance [pF]	Tolerance
0.0	25.0	0%
2.0	64.9	10%
4.0	105.8	10%
6.0	148.2	10%
8.0	190.7	10%
10.8	250.0	10%

Mechanical stop at < 25 pF at ~ -0.8 turns
 Mechanical stop at > 250 pF at ~ 11 turns

Self inductance and resonance frequency



Special Features:
Special Series Features