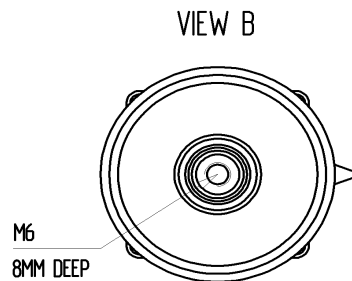
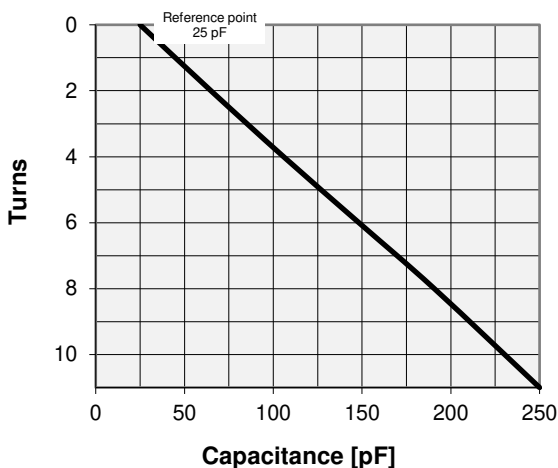
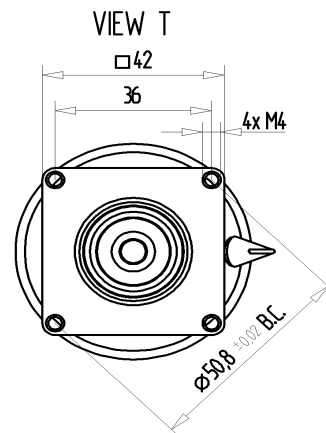


CVUN-250AC/15-BAJA

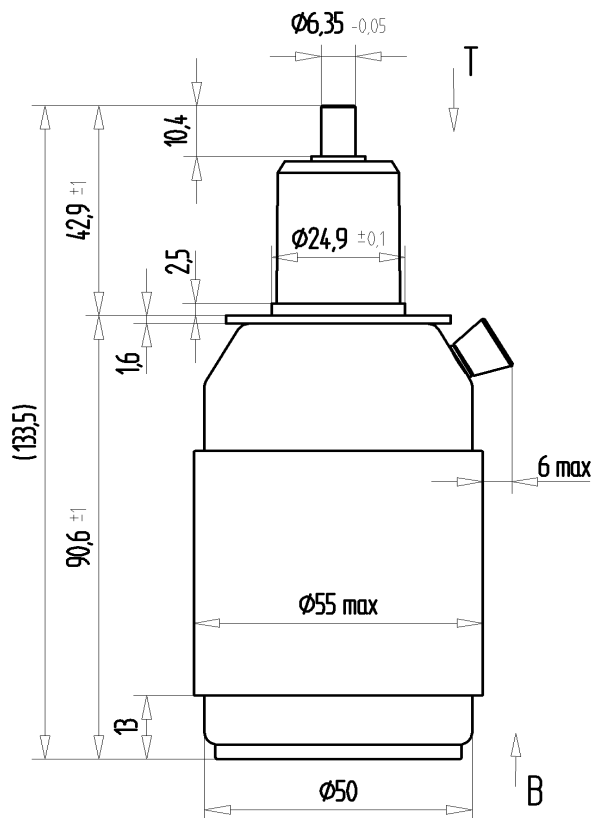
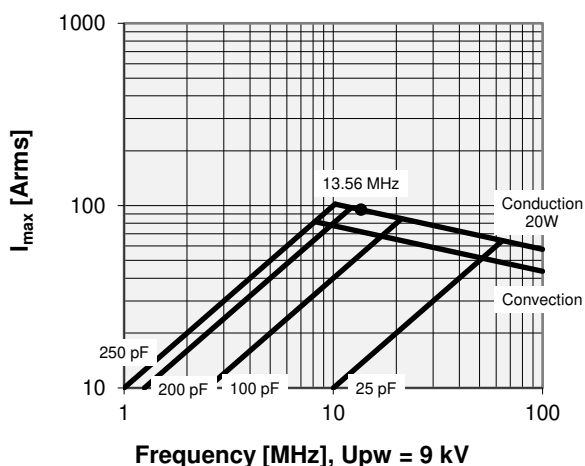
Old Type Designation: CV1C-250UC

Specifications

Capacity C_{max} (nominal)	250 pF
Capacity C_{min} (nominal)	25 pF
Voltage (Peak Test U_{pt} / Peak Working U_{pw})	15 kV / 9 kV
Capacity Tolerance (linear Range)	10%
Max. Current I_{max} at 13.56 MHz with	94 Arms
Conduction Cooling	20 W
Self Inductance	≤ 8 nH
Capacitance per turn	20.5 pF/turn
Torque	≤ 0.2 Nm
Net Weight	0.5 kg



I_{max} at 25°C ambient and 125°C surface temp. for convection and conduction (20 W) cooling



Note:
 Technical information in Service Bulletin
 SB-52 must be considered
 Subject to change without prior notice

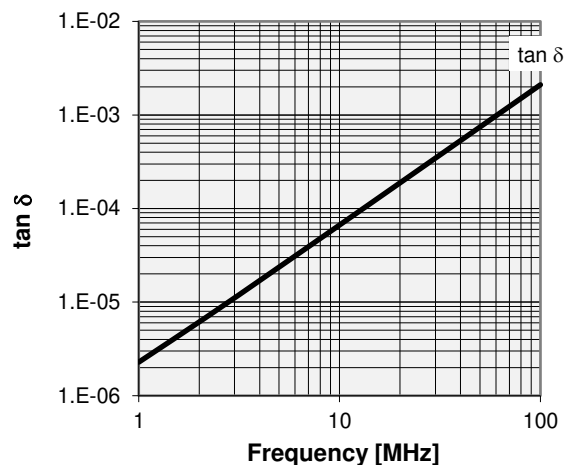
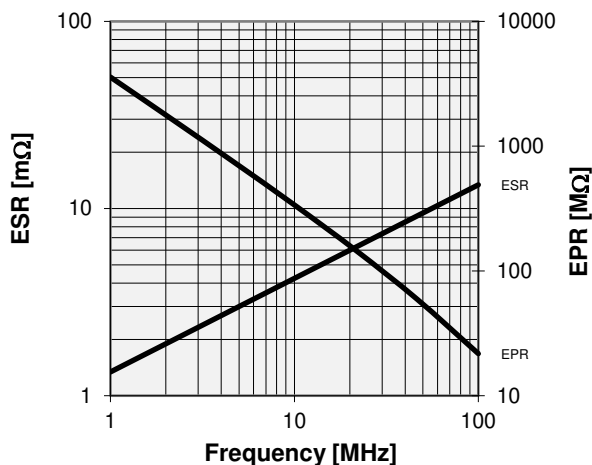
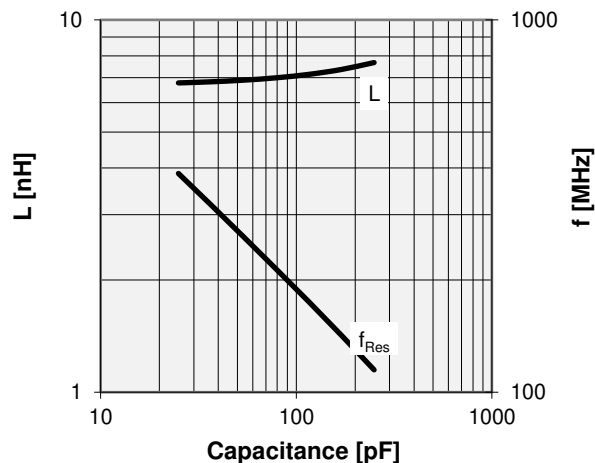
CVUN-250AC/15-BAJA

Old Type Designation: CV1C-250UC

Turns	Nominal Capacitance [pF]	Tolerance
0.0	25.0	0%
2.0	64.9	10%
4.0	105.8	10%
6.0	148.2	10%
8.0	190.7	10%
11.0	250.0	10%

Mechanical stop at < 25 pF at ~ -0.8 turns
 Mechanical stop at > 250 pF at ~ 11 turns

Self inductance and resonance frequency



Note:
 Technical information in Service Bulletin
 SB-52 must be considered
 Subject to change without prior notice