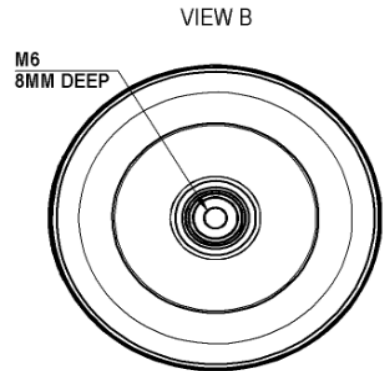
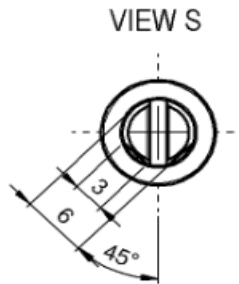
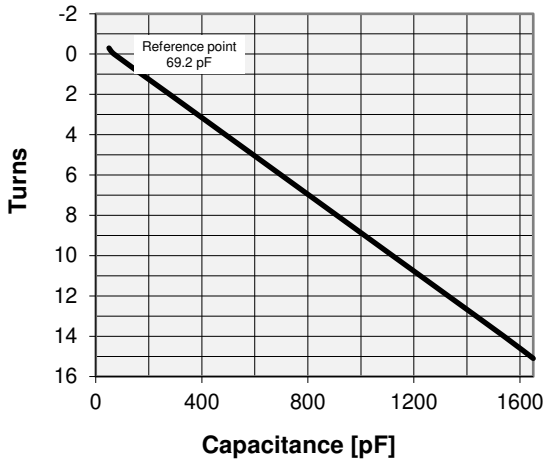
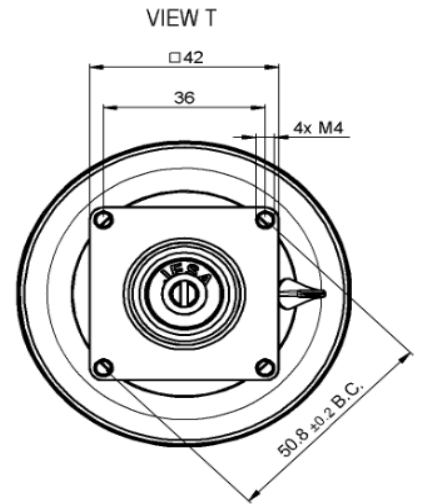


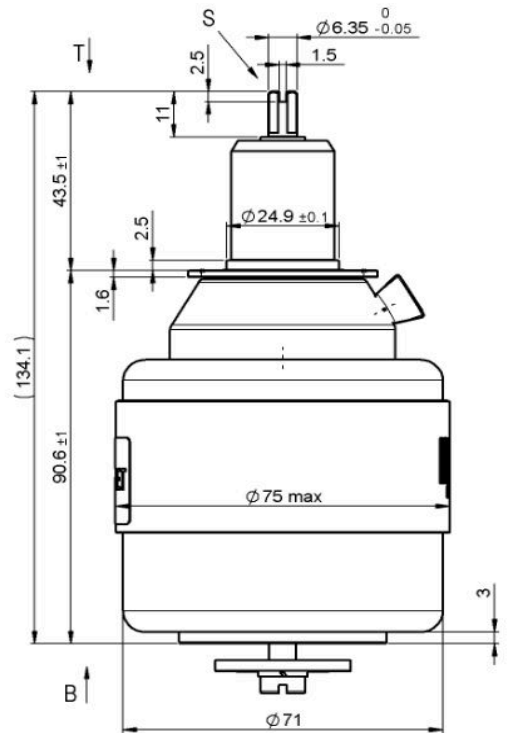
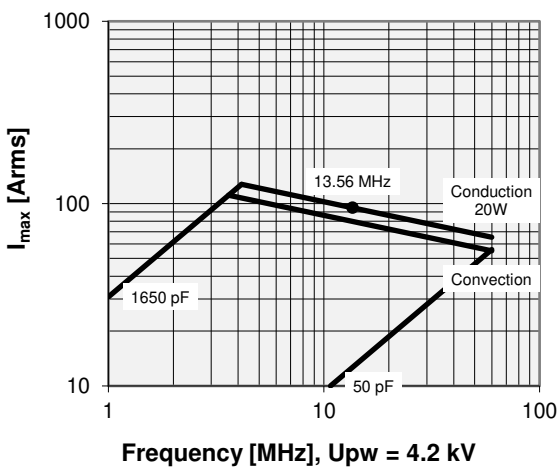
CVUN-1650CC/7-BEAL-Z

Specifications

Capacitance C_{max} (nominal)	1650 pF
Capacitance C_{min} (nominal)	50 pF
Voltage (Peak Test U_{pt} / Peak Working U_{pw})	7 kV / 4.2 kV
Capacitance Tolerance (linear Range)	10%
Max. Current I_{max} at 13.56 MHz with	94 Arms
Conduction Cooling	20 W
Capacitance per turn	104.7 pF/turn
Torque	≤ 0.2 Nm
Net Weight	0.75 kg



I_{max} at 25°C ambient and 125°C surface temp. for convection and conduction (20 W) cooling



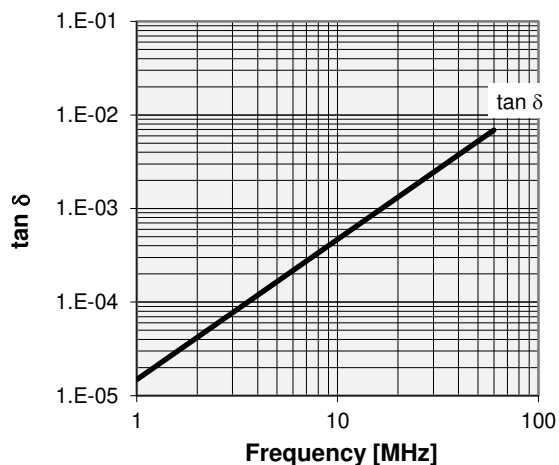
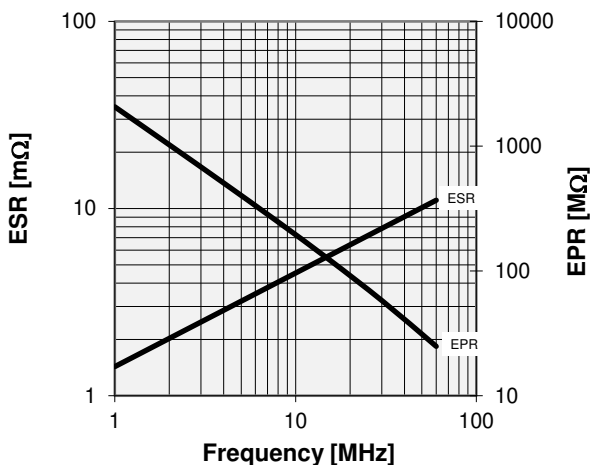
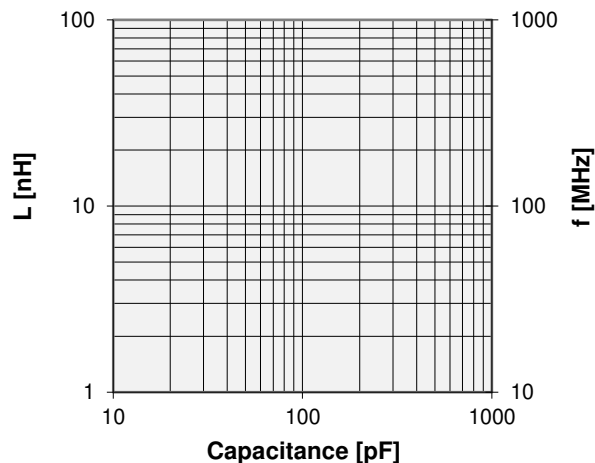
Note:
 Technical information in Service Bulletin
 SB-52 must be considered
 Subject to change without prior notice

CVUN-1650CC/7-BEAL-Z

Turns	Nominal Capacitance [pF]	Tolerance
-0.3	50.0	10%
0.0	69.2	0%
2.0	279.2	10%
4.0	489.2	10%
8.0	909.2	10%
10.0	1119.2	10%
12.0	1329.2	10%
14.0	1539.2	10%
15.1	1650.0	10%

Mechanical stop at < 50 pF at ~ -5.1 turns
 Mechanical stop at > 1650 pF at ~ 15.3 turns

Self inductance and resonance frequency



Special Features:
Special Series Features, RoHS Compliant

Note:
 Technical information in Service Bulletin
 SB-52 must be considered
 Subject to change without prior notice