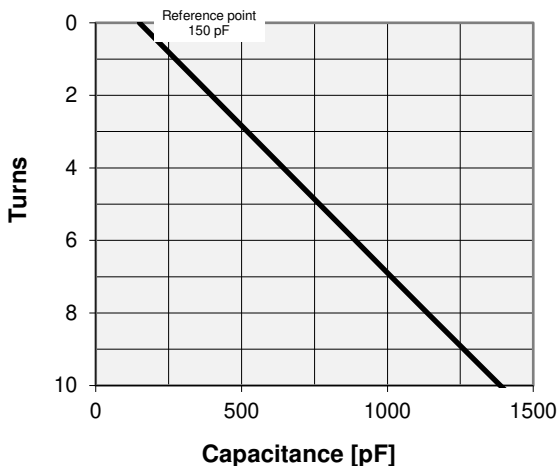
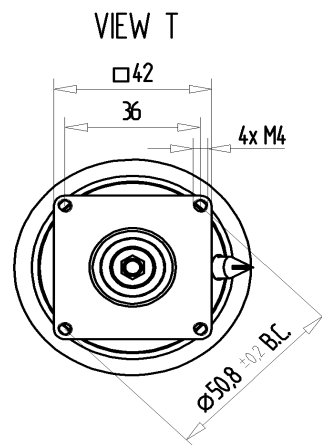


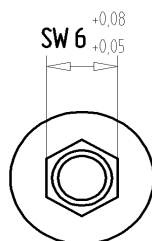
CVUN-1500BC/7-JHJL

Specifications

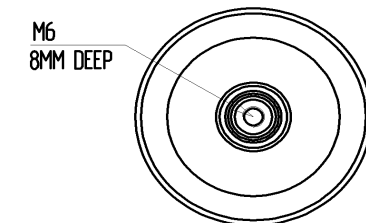
Capacitance C_{max} (nominal)	1500 pF
Capacitance C_{min} (nominal)	150 pF
Voltage (Peak Test U_{pt} / Peak Working U_{pw})	7 kV / 4.2 kV
Capacitance Tolerance (linear Range)	10%
Max. Current I_{max} at 13.56 MHz with	88 Arms
Conduction Cooling	20 W
Self Inductance	≤ 11 nH
Capacitance per turn	123.9 pF/turn
Torque	≤ 0.2 Nm
Net Weight	0.65 kg



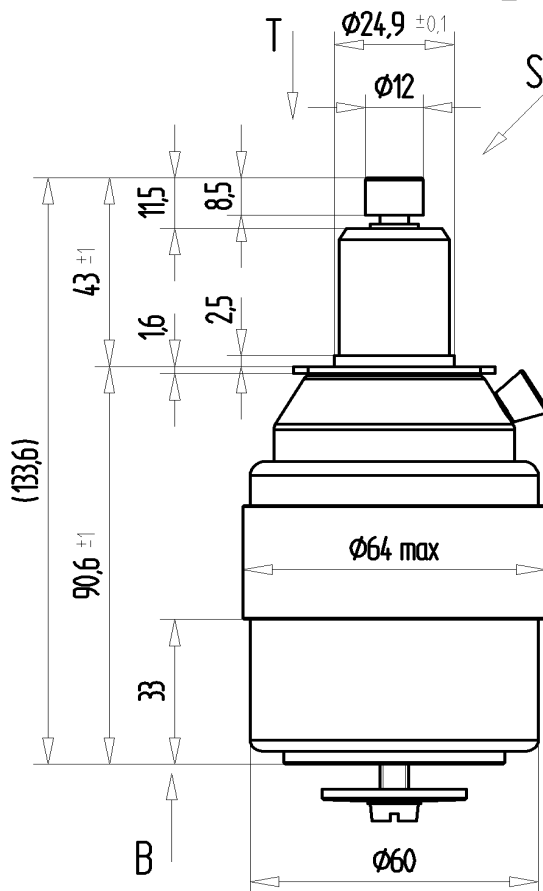
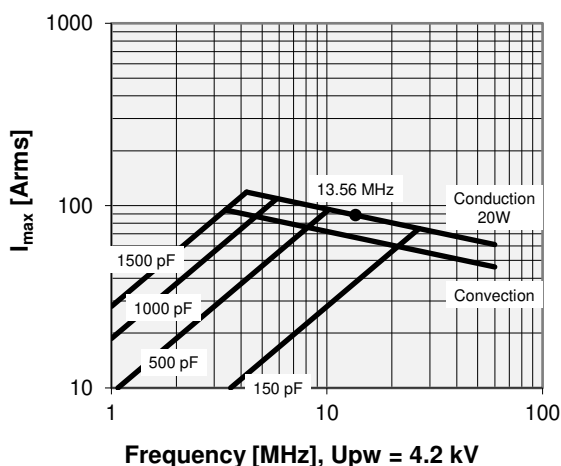
VIEW S



VIEW B



I_{max} at 25°C ambient and 125°C surface temp. for convection and conduction (20 W) cooling



Note:
 Technical information in Service Bulletin
 SB-52 must be considered
 Subject to change without prior notice

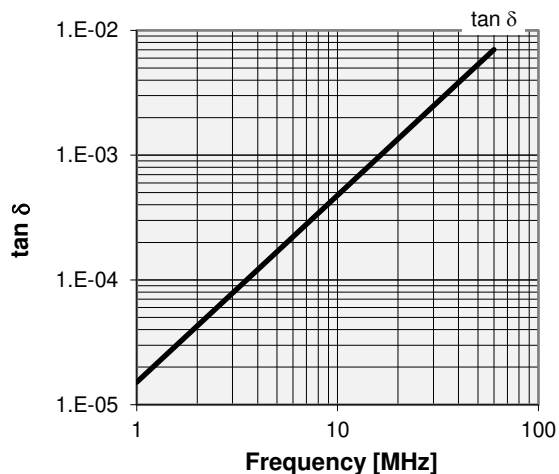
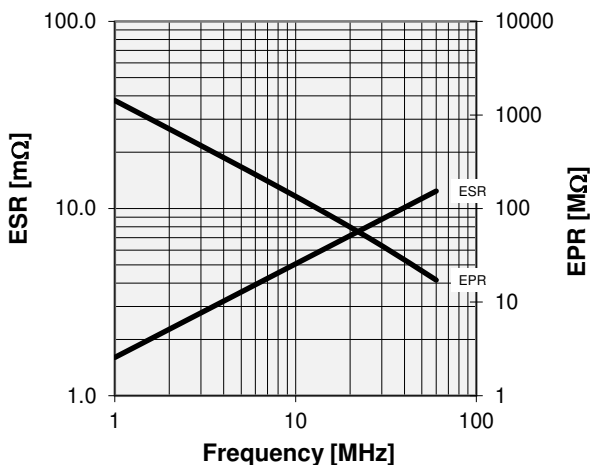
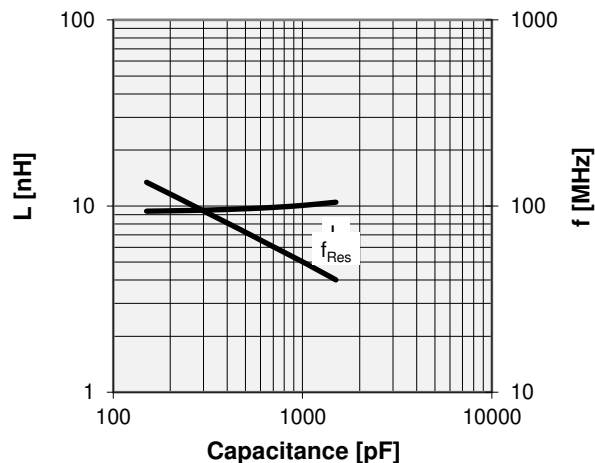
Issue: 24-Jun-2013

CVUN-1500BC/7-JHJL

Turns	Nominal Capacitance [pF]	Tolerance
0.0	150.0	0%
2.0	396.8	10%
4.0	643.6	10%
6.0	890.3	10%
8.0	1137.1	10%
10.9	1500.0	10%

Mechanical stop at < 150 pF at ~ -1.2 turns
 Mechanical stop at > 1500 pF at ~ 11.1 turns

Self inductance and resonance frequency



Special Features:
RoHS Compliant