



150 Dodd Street SE  
Marietta, GA. 30060

Phone: 770-973-6251  
Fax: 678-401-3854

Email: [info@mgs4u.com](mailto:info@mgs4u.com)  
Website: [www.mgs4u.com](http://www.mgs4u.com)

UHF female to UHF female 8 inch Bulkhead Mount Adapter



### Technical Data Sheet

This UHF female to UHF female 8 inch bulkhead mount adapter is one of several thousand RF products available from Max-Gain Systems, Inc. This adapter is an in-series coaxial adapter.

This adapter is made from a Solid Brass body that is machined and plated with Nickel for superior performance and value. This UHF female to UHF female 8 inch bulkhead mount adapter has a Delrin dielectric and a gold plated brass center pin. Both sides provide a UHF female side (also known as a SO-239 connection) is by far the most popular connection type used in Amateur Radio.

### Material Specifications

UHF female to UHF female 8 inch Bulkhead Adapter		Part Number 7518-UHF-E-8
Description	Material	Plating
Center Pin	Brass	Gold
Body	Brass	Nickel
Nut	Brass	Nickel
Insulator	Delrin	White

## Mechanical Specifications

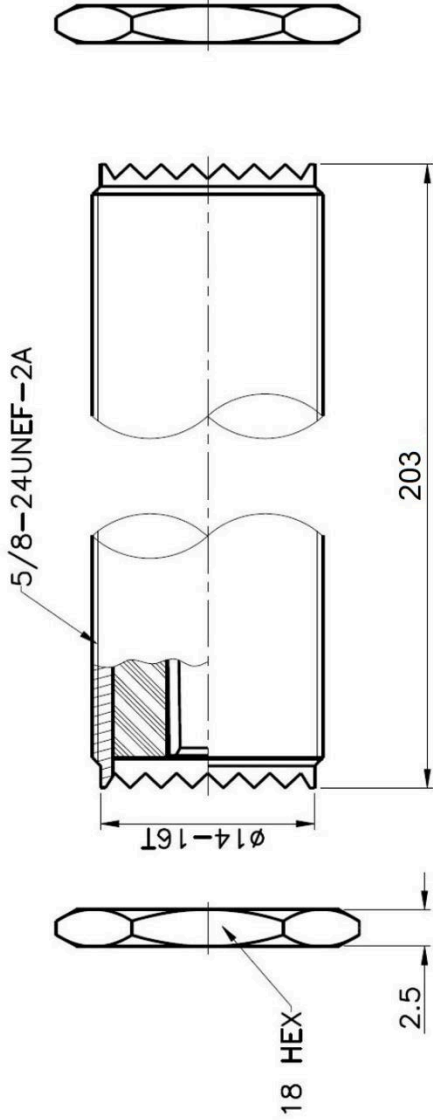
Size	Dimension
Length	8 in (203.2 mm)
Width	0.61 in (15.5 mm)
Height	0.61 in (15.5 mm)
Weight	5.7 oz (156 g)

## Environmental Specifications

Temperature	Spec
Operating Range	-65 to +165 deg C

## Compliance Certifications (see product page for current documentation)

**Availability** Click the following link (or enter part number in the “SEARCH” bar at the top of any page of the website) to obtain additional part information including price, inventory and certifications: <https://mgs4u.com/product/uhf-female-to-uhf-female-8-inch-bulkhead-mount-adapter-7518-uhf-e-8/>



Max-Gain Systems, Inc.  
 150 Dodd Street SE, Marietta, GA, 30060  
 Phone: (770) 973-6251 | Fax: (678) 401-3854  
 Website: www.mgs4u.com | E-Mail: sales@mgs4u.com

UHF female to UHF female 8 Inch  
 Bulkhead Mount Adapter  
 DRAWING NO: 7518-UHF-E-8  
 FILE NO : .

	UNLESS OTHERWISE SPECIFIED TOLERANCES	PART NO	DATE
	0.5-5 = ±0.2	APPROVED	DATE
	5-30 = ±0.4	CHECKED	DATE
	30-120 = ±0.6	DRAWN	DATE
	120-315 = ±1		
	315-1000 = ±1.6		
	1000-2000 = ±2.4		
	UNIT: mm		
NO.   DESCRIPTION	MATERIAL	SCALE: .	
NUT	BRASS	NICKEL	
PIN	BRASS	GOLD	
INSULATOR	DELIRIN	WHITE	
BODY	BRASS	NICKEL	
	MATERIAL	FINISH	