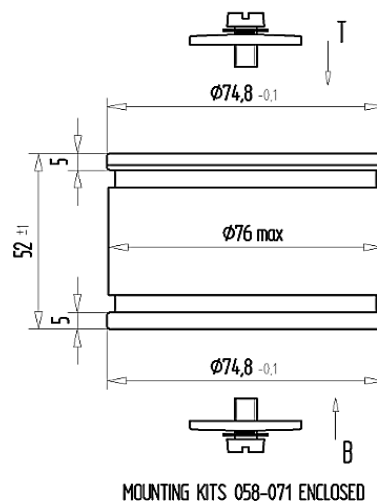


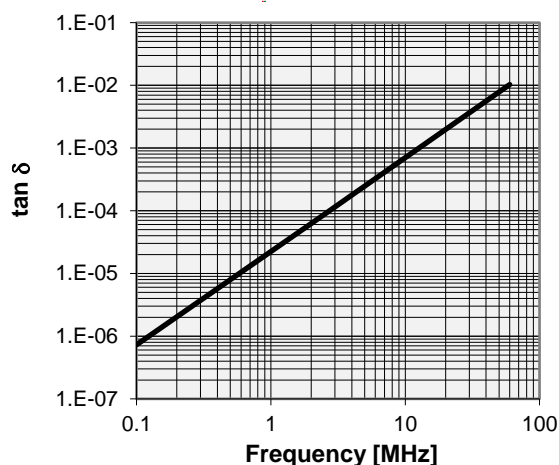
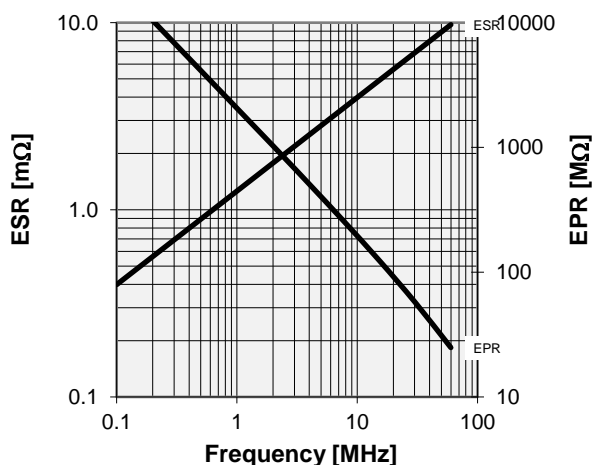
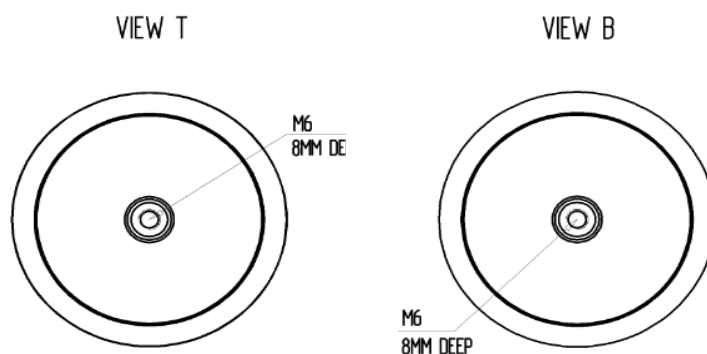
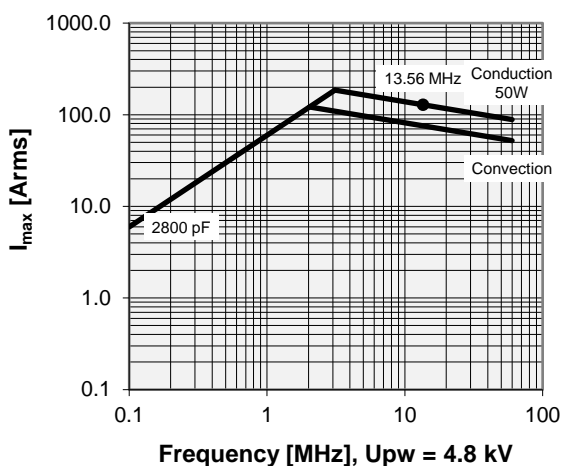
# CFMN-2800BAC/8-DE-G

## Specifications

Capacitance $C_{max}$ (nominal)	2800 pF
Voltage (Peak Test $U_{pt}$ / Peak Working $U_{pw}$ )	8 kV / 4.8 kV
Capacitance Tolerance	5%
Max. Current $I_{max}$ at 13.56 MHz with	128 Arms
Conduction Cooling	50 W
Net Weight	0.7 kg



$I_{max}$  at 25°C ambient and 125°C surface temp. for convection and conduction (50 W) cooling



**Special Features:**  
Capacity Tolerance 5%, RoHS Compliant

Note:  
Technical information in Service Bulletin  
SB-52 must be considered  
Subject to change without prior notice