



150 Dodd Street SE
Marietta, GA. 30060

Phone: 770-973-6251
Fax: 678-401-3854

Email: info@mgs4u.com
Website: www.mgs4u.com

UHF female to UHF female 4 inch Bulkhead Mount Adapter



Technical Data Sheet

This UHF female to UHF female 4 inch bulkhead mount adapter is one of several thousand RF products available from Max-Gain Systems, Inc. This adapter is an in-series coaxial adapter.

This adapter is made from a Solid Brass body that is machined and plated with Nickel for superior performance and value. This UHF female to UHF female 4 inch bulkhead mount adapter has a Delrin dielectric and a gold plated brass center pin. Both sides provide a UHF female side (also known as a SO-239 connection) is by far the most popular connection type used in Amateur Radio.

Material Specifications

UHF female to UHF female 4 inch Bulkhead Adapter		Part Number 7518-UHF-C-4
Description	Material	Plating
Center Pin	Brass	Gold
Body	Brass	Nickel
Nut	Brass	Nickel
Insulator	Delrin	White

Mechanical Specifications

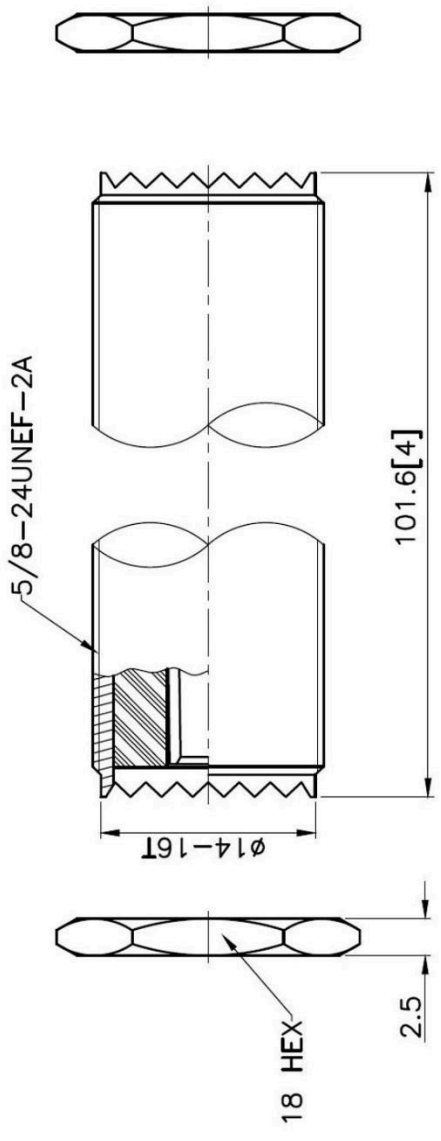
Size	Dimension
Length	4 in (101.6 mm)
Width	0.61 in (15.5 mm)
Height	0.61 in (15.5 mm)
Weight	2.8 oz (80 g)

Environmental Specifications

Temperature	Spec
Operating Range	-65 to +165 deg C

Compliance Certifications (see product page for current documentation)

Availability Click the following link (or enter part number in the “SEARCH” bar at the top of any page of the website) to obtain additional part information including price, inventory and certifications: <https://mgs4u.com/product/uhf-female-to-uhf-female-4-inch-bulkhead-mount-adapter-7518-uhf-c-4/>



Max-Gain Systems, Inc.
 150 Dodd Street SE, Marietta, GA, 30060
 Phone: (770) 973-6251 | Fax: (678) 401-3854
 Website: www.mgs4u.com | E-Mail: sales@mgs4u.com

UHF female to UHF female 4 inch Bulkhead Mount Adapter
 DRAWING NO: 7518-UHF-C-4
 FILE NO : .

				PART NO	DATE
				APPROVED	DATE
				CHECKED	DATE
				DRAWN	DATE
UNLESS OTHERWISE SPECIFIED TOLERANCES					
0.5-5	±0.2				
5-30	±0.4				
30-120	±0.6				
120-315	±1				
315-1000	±1.6				
1000-2000	±2.4				
	UNIT: mm				
	SCALE: .				
NUT	BRASS	NICKEL			
PIN	BRASS	GOLD			
INSULATOR	DELTRIN	WHITE			
BODY	BRASS	NICKEL			
NO. DESCRIPTION	MATERIAL	FINISH			