

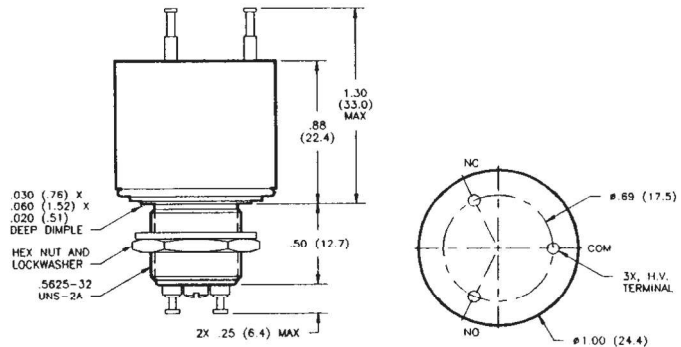
## HC Series — 8 kV Relays

**HC-2**  
No Load Switching

**HC-4**  
Make & Break Load Switching

**Product Facts for HC-2**

- Vacuum dielectric and copper contacts for high current carry rating of 25 Amps
- Not designed for power switching
- Stable, low contact resistance
- Meets requirements of MIL-R-83725



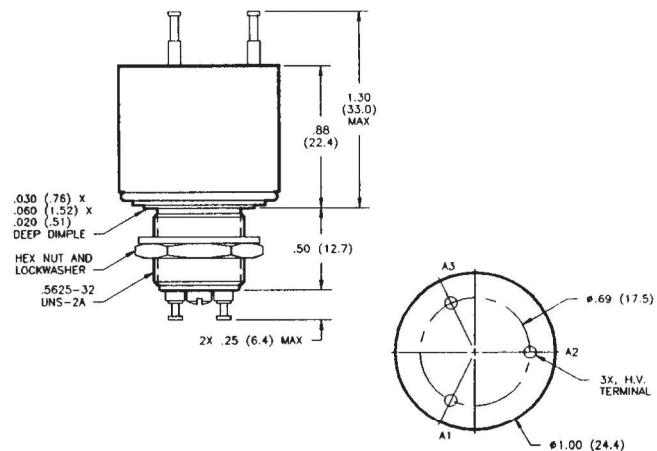
**Product Facts for HC-4**

- Tungsten contacts for long life in power switching applications
- Meets requirements of MIL-R-83725
- Vacuum dielectric for arc suppression when making or breaking a load

**HC-6**  
Make Only Load Switching

**Product Facts for HC-6**

- Tungsten contacts for switching high in-rush loads
- SF-6 gas-filled for capacitive discharge applications
- Suitable for ESD testing applications
- Tungsten contacts for long life in power switching applications



**Product Specifications for HC-2, HC-4 and HC-6**

- Contact Arrangement** — SPDT
- Contact Form** — C
- Test Voltage, DC or 60 Hz (Peak)** — 10 kV
- Rated Operating Voltage (Peak)** — DC or 60 Hz — 8 kV
- Continuous Carry Current, Max.** — DC or 60 Hz — HC-2 — 25 A RMS  
HC-4 — 15 A RMS  
HC-6 — 8 A RMS
- Coil Hi-Pot (Vrms, 60 Hz)** — 500 A RMS
- Contact Capacitance** — Between Open Contacts — N/A  
Open Contacts to Ground — N/A
- Contact Resistance, Max.** — HC-2 — 0.01 ohm  
HC-4 — 0.02 ohm  
HC-6 — 0.5 ohm\*
- Operate Time, Max.** — 6 ms
- Release Time, Max.** — 6 ms

**Shock, 11ms, 1/2 Sine (Peak)** — 50 g

**Vibration** — Peak — 10 g (55 to 2000 Hz)

**Operating Ambient Temperature Range** — -55°C to +125°C

**Mechanical Life** — HC-2 and HC-4 — 2 million cycles  
HC-6 — 1 million cycle

**Weight, Nominal** — 39.69 g (1.4 oz.)

\*Contact resistance for gas-filled relays is measured at 28 Vdc, 1 Amp

For factory-direct application assistance, dial 800-253-4560, ext. 2055, or 805-220-2055.

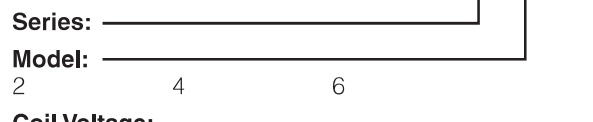
**Coil Data**

Nominal Volts DC	12 Vdc	26.5 Vdc	115 Vdc
Pickup, Max.	8 Vdc	16 Vdc	80 Vdc
Dropout	.5-5 Vdc	1-10 Vdc	5-50 Vdc
Coil Resistance (±10%)	80 Ω	335 Ω	6000 Ω

Ratings listed are for 25°C, sea level conditions

**Ordering Information**

**Sample Part Number** ▶ HC- 6 /12Vdc



**Coil Voltage:**  
Blank = 26.5 Vdc  
/12Vdc = 12 Vdc  
/115Vdc = 115 Vdc