

**TYPE UCSXH
10 to 200 MMFD
VARIABLE CAPACITOR**



SPECIFICATIONS

VOLTAGE RATING

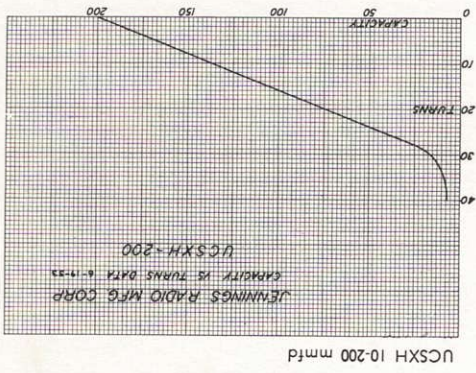
35 Kilovolts Peak
45 KV units are also available

CURRENT RATING

45 Amperes RMS

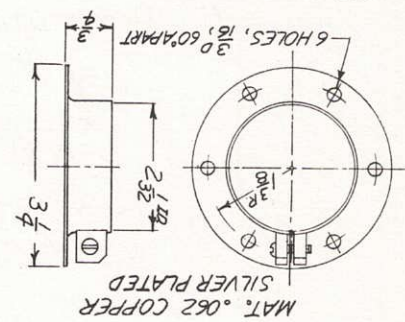
CAPACITY VS. TURNS DATA

Clockwise rotation of 1/2" shaft decreases capacity.

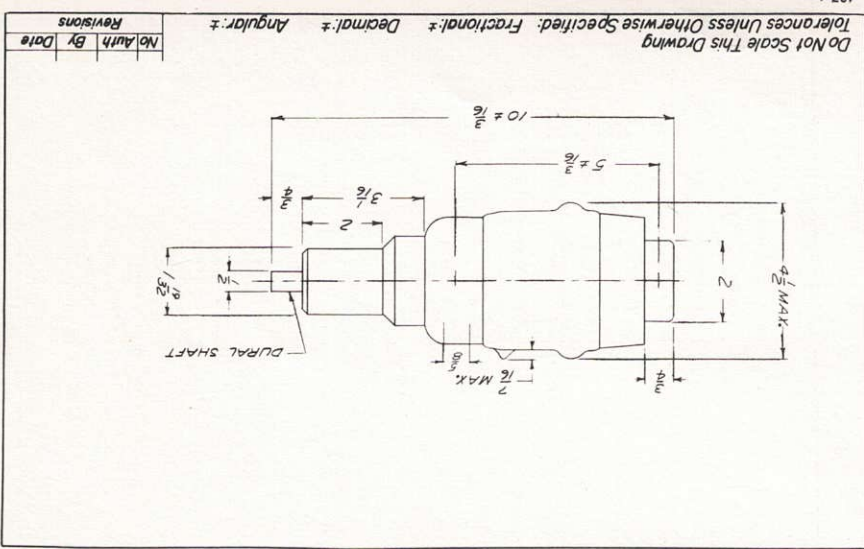
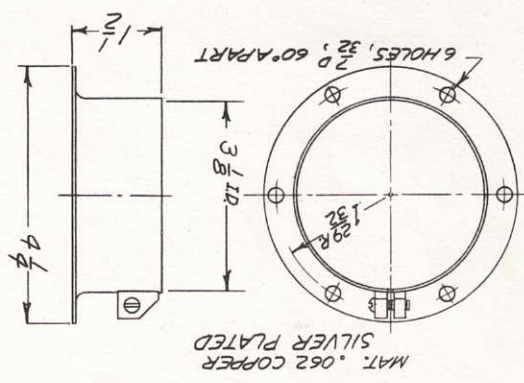


MOUNTING

FIXED END
Type FM2B Flange Mount



VARIABLE END
Type FM3B Flange Mount



407.1