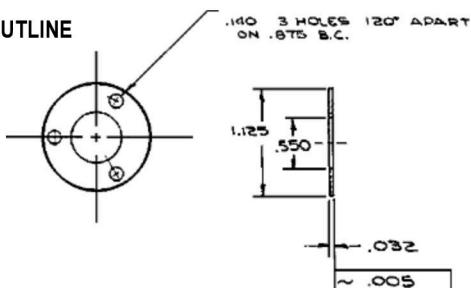




SPECIFICATIONS

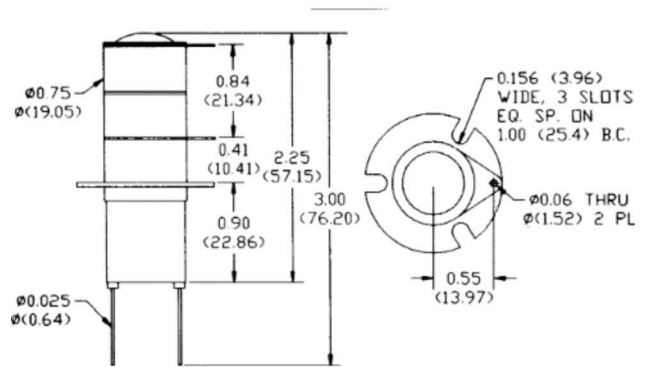
Model Number	RF4A RF4B**	RF47
Test Voltage (kV Peak) 60 Hz	10	10
Rated Operating Voltage (kV Peak)		
DC or 60 Hz	8	8
2.5 MHz	7	8
16 MHz	6	6
32 MHz	5	5
Continuous Current, Carry (Amps, RMS)		
DC or 60 Hz	30	35
2.5 MHz	25	35
16 MHz	15	18
32 MHz	10	12
Contact Capacitance (pF)		
Between Open Contacts	4.0	1.6
Open Contacts to Ground	4.0	1.6
Contact Resistance (mΩ)	15	4
Operate Time (ms. Max.)	18, 10**	4
Release Time (ms. Max.)	18, N/A**	N/A
Pull-in Voltage @ 25° C		
26.5 VDC Coil	16	16
Dropout Voltage @ -55 to 125° C		
26.5 VDC Coil	1-10, N/A**	N/A
Coil Resistance (Ohms ± 10%)		
26.5 VDC Coil	156, 6.7**	80
Shock, 1/2 Sine 11 ms. (Peak g's)	50	50
Vibration, Peak g's 55-2000 Hz	10	30
Expected Mechanical Life Cycles (X10 ⁶)	1	1
Weight, Ounces (Grams) Max.	2 (57)	1 (28)
FLANGE CROSS REFERENCE		
Model Number	Flange Version	
RF47-26S	RF47D-26S	
OPTIONAL COILS		
		55 Vdc
Model Number	Coil Resistance (Ohms ± 10%)	
RF4A	520	

FLANGE OUTLINE



10 kV

- **RF4A-26S**
N/C, ground isolated. High current ratings. Flange Mount.
- **RF4B-26S**
Latching version of RF4A.



10 kV

- **RF47-26S**
Latching, ground isolated. High current rating. Note: Requires heat sink, consult factory.

