



150 Dodd Street SE
Marietta, GA. 30060

Phone: 770-973-6251
Fax: 678-401-3854

Email: info@mgs4u.com
Website: www.mgs4u.com

Large Fender Gasket for UHF female (SO-239) Adapters



Technical Data Sheet

Large Silicone Fender Gasket with 5/8 inch ID used with N-Female and UHF-Female bulkhead connectors. Large fender gasket for UHF and Type N female bulkhead adapters.

Be sure to check out our Large Fender Washers designed to work directly with these Large Fender Gaskets AND our Large Panel Nuts.

Material Specifications

Large Fender Gasket for UHF female (SO-239) Adapter		Part Number 7518-L-GASKET
Description	Material	Plating
Body	Silicone	Black

Mechanical Specifications

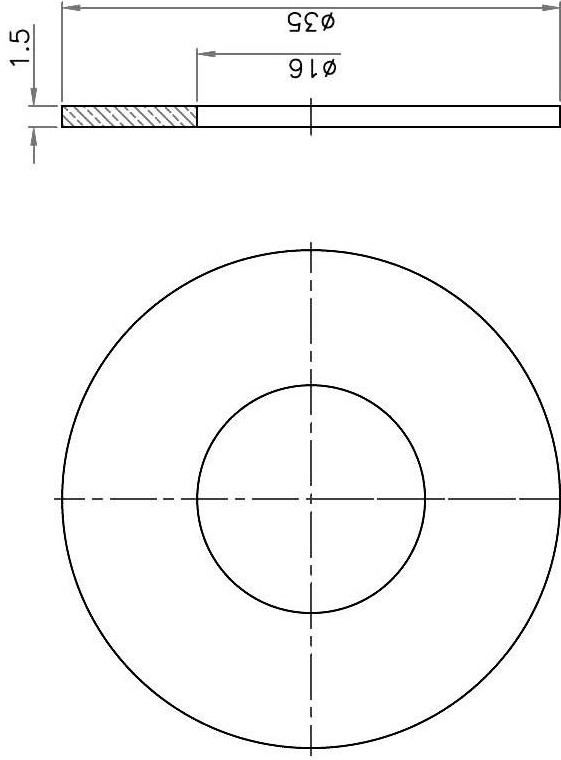
Size	Dimension
Length	0.06 in (1.5 mm)
Width	1.38 in (35 mm)
Height	1.38 in (35 mm)
Weight	0.02 oz (.5 g)

Environmental Specifications

Temperature	Spec
Operating Range	-65 to +165 deg C

Compliance Certifications (see product page for current documentation)

Availability Click the following link (or enter part number in the “SEARCH” bar at the top of any page of the website) to obtain additional part information including price, inventory and certifications: <https://mgs4u.com/product/large-fender-gasket-p-n-7518-fenderg/>



Max-Gain Systems, Inc.
 150 Dodd Street SE, Marietta, GA, 30060
 Phone: (770) 973-6251 | Fax: (678) 401-3854
 Website: www.mgs4u.com | E-Mail: sales@mgs4u.com

**TITLE: Large Fender Gasket for UHF female
 (SO-239) Adapters**

DRAWING NO: 7518-L-GASKET

FILE NO : .

PART NO	DATE	APPROVED	DATE	CHECKED	DATE	DRAWN	DATE	
UNLESS OTHERWISE SPECIFIED TOLERANCES 0.5-5 = ±0.2 5-30 = ±0.4 30-120 = ±0.6 120-315 = ±1 315-1000 = ±1.6 1000-2000 = ±2.4								
UNIT: mm							1	QTY
BLACK FINISH								
SILICONE MATERIAL								
BODY DESCRIPTION								