



150 Dodd Street SE  
 Marietta, GA. 30060

**Phone:** 770-973-6251  
**Fax:** 678-401-3854

**Email:** [info@mgs4u.com](mailto:info@mgs4u.com)  
**Website:** [www.mgs4u.com](http://www.mgs4u.com)

Double Banana Jack to BNC male Adapter



### Technical Data Sheet

This double banana jack to BNC male adapter is one of several thousand RF products available from Max-Gain Systems, Inc. This adapter is a between series coaxial adapter.

This adapter is made from a precision-molded Polyethylene body for superior performance and value. This Double Banana jack to BNC male adapter has a Delrin dielectric and a gold (BNC side) and a nickel (Double Binding Post side) plated copper center pin. The BNC male side accepts the BNC female tabs or “bayonets” for quick and reliable connections and disconnections. The Double Banana jack side is simply two Single Banana jacks mounted slightly apart side one another and is useful in test equipment, amplifiers, and audio speaker applications.

### Material Specifications

**Double Banana Jack to BNC male Adapter**

**Part Number 7102**

Description	Material	Plating
Center Pin	Copper	Gold
Insulator	Delrin	White
Body (BNC)	Zinc	Nickel
Body	Polyethylene	Black
Terminals	Copper	Nickel
Nut 1	ABS	Black
Nut 2	ABS	Red

## Mechanical Specifications

Size	Dimension
Length	2.35 in (59.5 mm)
Width	1.07 in (27 mm)
Height	0.63 in (16 mm)
Weight	0.9 oz (26 g)

## Electrical Specifications

Specification	Value
Voltage	500 Volts RMS

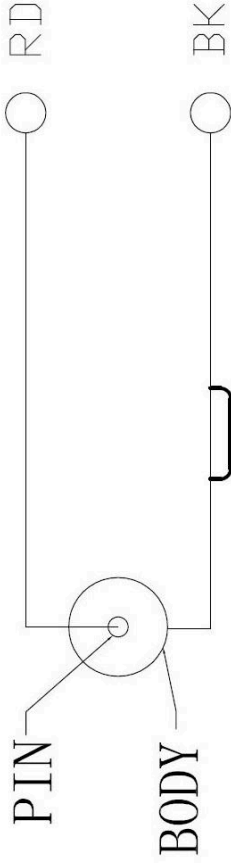
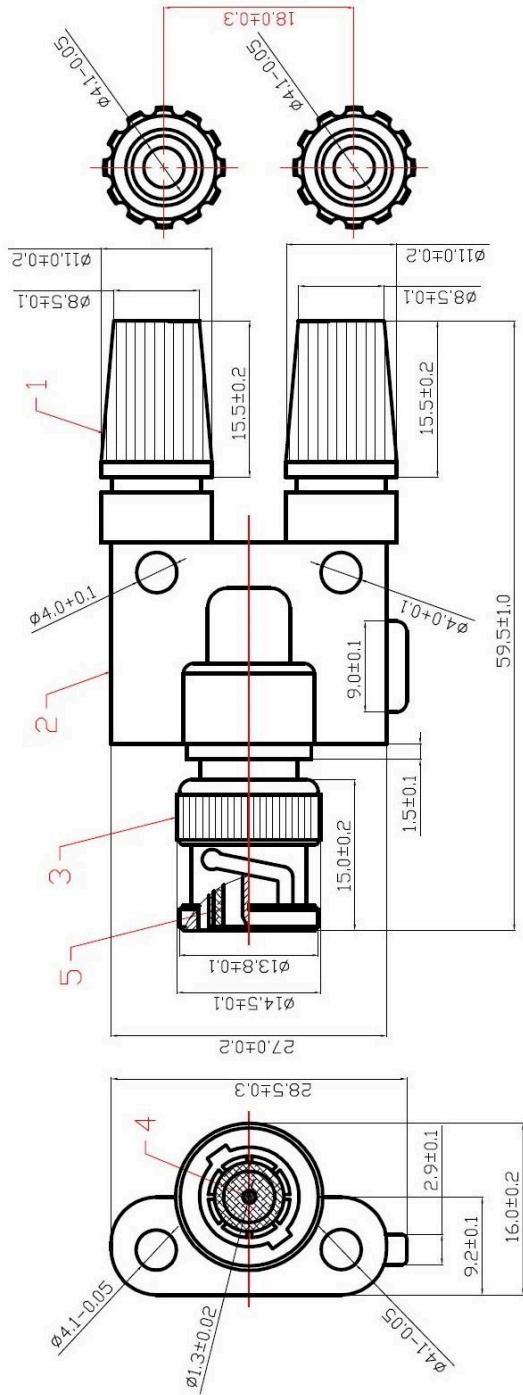
## Environmental Specifications

Temperature	Spec
Operating Range	-65 to +165 deg C

## Compliance Certifications (see product page for current documentation)

**Availability** Click the following link (or enter part number in the “SEARCH” bar at the top of any page of the website) to obtain additional part information including price, inventory and certifications: <https://mgs4u.com/product/double-banana-jack-to-bnc-male-adapter-7102/>

1	2	3	4	5	6	7	8
A	B	C	D	E	F		



**MAX-GAIN  
SYSTEMS, INC.**

Max-Gain Systems, Inc.  
150 Dodd Street SE, Marietta, GA. 30060  
Phone: (770) 973-6251 | Fax: (678) 401-3854  
Website: [www.mgs4u.com](http://www.mgs4u.com) | E-Mail: [sales@mgs4u.com](mailto:sales@mgs4u.com)

TITLE: Double Banana Jack to BNC Male Adapter

DRAWING NO: 7102



ALL DIMENSION IN mm  
(UNLESS OTHERWISE SPECIFIED)

NO	DESCRIPTION	MATERIAL	Q'TY	FINISH	ITEM
07	CENTER PIN	COPPER		GOLD	
06	INSULATOR	DELTRIN		WHITE	
05	BODY (BNC)	ZINC		NICKLE	
04	BODY	POLYETHYLENE		BLACK	
03	TERMINALS	COPPER		NICKLE	
02	NUT 1	ABS		BLACK	
01	NUT 2	ABS		RED	
1	DESCRIPTION	MATERIAL	Q'TY	FINISH	ITEM

**ROHS COMPLIANT**

UNIT WEIGHT: 26 g

8

7

6

5

4

3

2

1