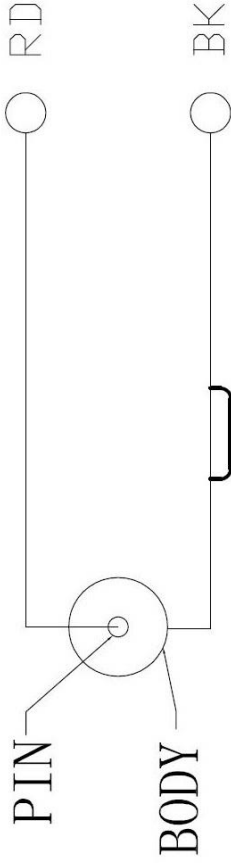
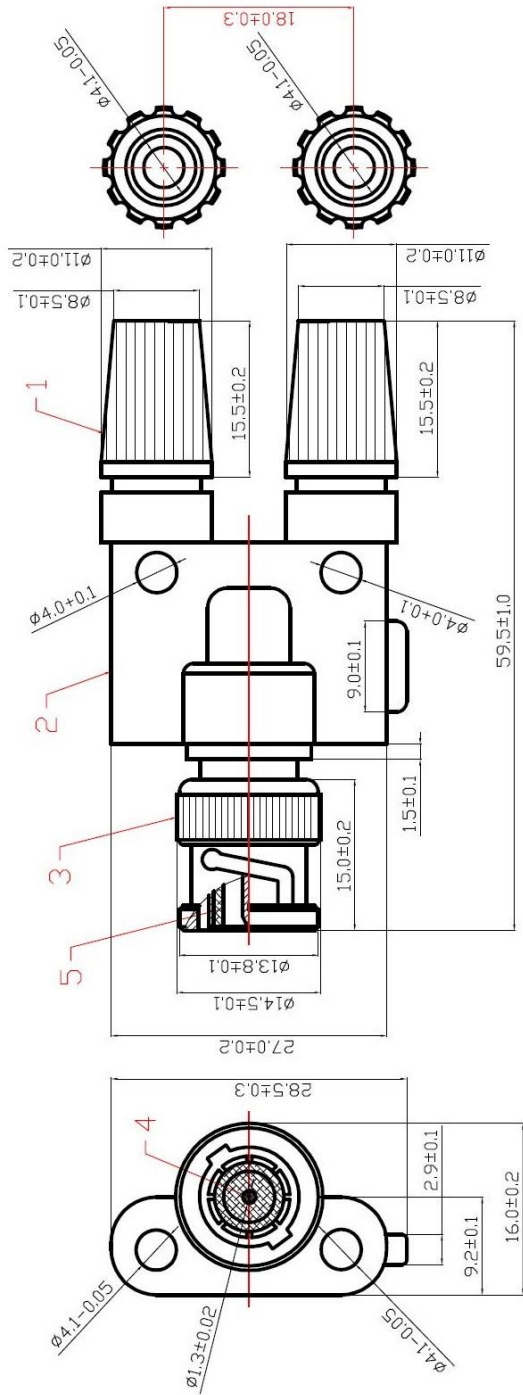


1	2	3	4	5	6	7	8
A	B	C	D	E	F		



Max-Gain Systems, Inc.
 150 Dodd Street SE, Marietta, GA. 30060
 Phone: (770) 973-6251 | Fax: (678) 401-3854
 Website: www.mgs4u.com | E-Mail: sales@mgs4u.com

TITLE: Double Banana Jack to BNC Male Adapter

DRAWING NO: 7102

ROHS COMPLIANT

UNIT WEIGHT: 26 g

NO	DESCRIPTION	MATERIAL	Q'TY	FINISH	ITEM
07	CENTER PIN	COPPER		GOLD	
06	INSULATOR	DELTRIN		WHITE	
05	BODY (BNC)	ZINC		NICKLE	
04	BODY	POLYETHYLENE		BLACK	
03	TERMINALS	COPPER		NICKLE	
02	NUT 1	ABS		BLACK	
01	NUT 2	ABS		RED	
1	1	2	3	4	5



ALL DIMENSION IN mm
(UNLESS OTHERWISE SPECIFIED)