



150 Dodd Street SE
Marietta, GA. 30060

Phone: 770-973-6251
Fax: 678-401-3854

Email: info@mgs4u.com
Website: www.mgs4u.com

UHF female to UHF female 1.75 inch Bulkhead Mount Adapter



Technical Data Sheet

This UHF female to UHF female 1.75 inch bulkhead mount adapter is one of several thousand RF products available from Max-Gain Systems, Inc. This adapter is an in-series coaxial adapter.

This adapter is made from a Solid Brass body that is machined and plated with Nickel for superior performance and value. This UHF female to UHF female 1.75 inch bulkhead mount adapter has a Delrin dielectric and a gold plated brass center pin. Both sides provide a UHF female side (also known as a SO-239 connection) is by far the most popular connection type used in Amateur Radio.

Material Specifications

UHF female to UHF female 1.75 inch Bulkhead Adapter		Part Number 7518-UHF-B-175
Description	Material	Plating
Center Pin	Brass	Gold
Body	Brass	Nickel
Nut	Brass	Nickel
Insulator	Delrin	White

Mechanical Specifications

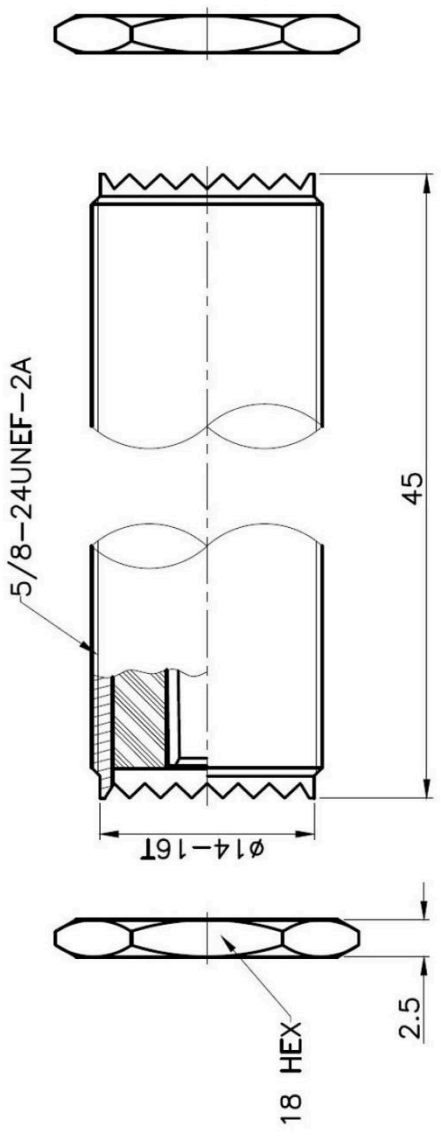
Size	Dimension
Length	1.75 in (45 mm)
Width	0.61 in (15.5 mm)
Height	0.61 in (15.5 mm)
Weight	1.1 oz (32 g)

Environmental Specifications

Temperature	Spec
Operating Range	-65 to +165 deg C

Compliance Certifications (see product page for current documentation)

Availability Click the following link (or enter part number in the “SEARCH” bar at the top of any page of the website) to obtain additional part information including price, inventory and certifications: <https://mgs4u.com/product/uhf-female-to-uhf-female-1-75-inch-bulkhead-mount-adapter-7518-uhf-b-175/>



MGS MAX-GAIN SYSTEMS, INC.

Max-Gain Systems, Inc.
 150 Dodd Street SE, Marietta, GA. 30060
 Phone: (770) 973-6251 | Fax: (678) 401-3854
 Website: www.mgs4u.com | E-Mail: sales@mgs4u.com

UHF female to UHF female 1.75 inch Bulkhead Mount Adapter	
PART NO	DATE
APPROVED	DATE
CHECKED	DATE
DRAWN	DATE
DRAWING NO: 7518-UHF-B-175	
FILE NO :	

UNLESS OTHERWISE SPECIFIED TOLERANCES
 0.5-5 = ±0.2
 5-30 = ±0.4
 30-120 = ±0.6
 120-315 = ±1
 315-1000 = ±1.6
 1000-2000 = ±2.4

UNIT: mm
 SCALE: .

NO.	DESCRIPTION	MATERIAL	FINISH
NUT		BRASS	NICKEL
PIN		BRASS	GOLD
INSULATOR		DELTRIN	WHITE
BODY		BRASS	NICKEL
		MATERIAL	FINISH