

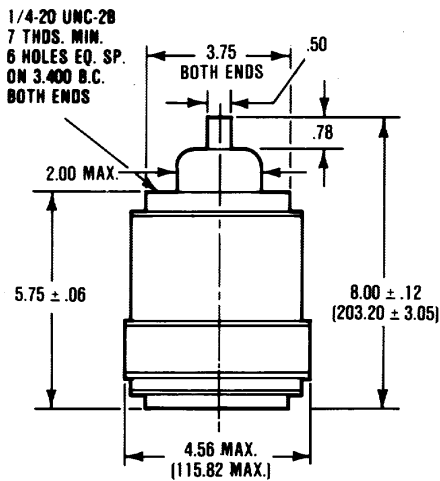


### CVDD 750, 1000 SPECIFICATIONS

Model Number	Capacity Range (pF)	Voltage (kV) Peak		Current Amps (RMS) Max.	Type	Nominal Dimensions		Torque (in lbs.) Max.	Direct Pull (lbs.) Max.	Weight (nominal)
		Test	Working			Length (in/mm)	Diam. (in/mm)			
CVDD-750-7.5S	25-750	7.5	4.5	130	Ceramic	8.00 / 203.20	4.56 / 115.82	4.2	68	6 lb. 13 oz.
CVDD-750-10S	25-750	10	6.0	140	Ceramic	8.00 / 203.20	4.56 / 115.82	4.2	68	6 lb. 13 oz.
CVDD-750-15S	25-750	15	9.0	150	Ceramic	8.00 / 203.20	4.56 / 115.82	4.2	68	6 lb. 13 oz.
CVDD-1000-7.5S	25-1000	7.5	4.5	130	Ceramic	8.00 / 203.20	4.56 / 115.82	4.2	68	6 lb. 13 oz.
CVDD-1000-10S	25-1000	10	6.0	140	Ceramic	8.00 / 203.20	4.56 / 115.82	4.2	68	6 lb. 13 oz.
CVDD-1000-15S	25-1000	15	9.0	150	Ceramic	8.00 / 203.20	4.56 / 115.82	4.2	68	6 lb. 13 oz.

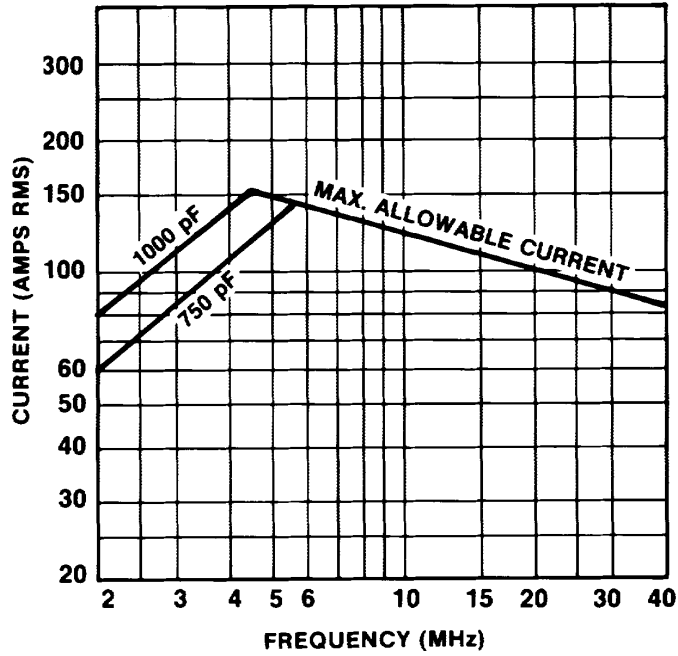
**NOTES:**

*Mounting:* Both ends have tapped holes.





**CONTINUOUS RMS AMPERES vs FREQUENCY**  
(at 9kV PEAK WORKING VOLTAGE)



**CAPACITY vs TURNS**  
Typical Data

