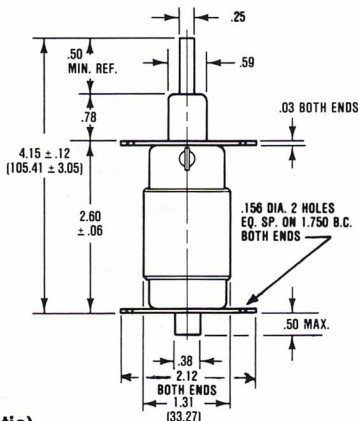


PEAK TEST VOLTAGE (kV)	MODEL NUMBER	CAPACITY RANGE (pF)	PEAK WORKING VOLT. (kV)	AMPS (RMS) MAX.	NOMINAL DIMENSIONS				TYPE (*)	TORQUE (In. Lbs.) MAX.	DIRECT PULL (Lbs. Max.)	WEIGHT (NOM.) Lbs.
					INCHES		MILLIMETERS					
					LENGTH	DIAMETER	LENGTH	DIAMETER				
3	CACA-125-0003	5-125	1.8	20	4.15	1.31	105.41	33.27	C	1.25	20	6.5 oz
5	CACA-125-0005	5-125	3.0	22	4.15	1.31	105.41	33.27	C	1.25	20	6.5 oz
3	UCSL-250-3S	4-250	1.8	30	4.12	2.19	104.65	55.63	G	3	28	9 oz
5	UCSL-250-5S	4-250	3.0	35	4.12	2.19	104.65	55.63	G	3	28	9 oz
3	CVCD-250-3S	5-250	1.8	45	6.00	2.44	152.40	61.98	C	1.5	42	1 lb 10 oz
5	CVCD-250-5S	5-250	3.0	50	6.00	2.44	152.40	61.98	C	1.5	42	1 lb 10 oz
3	CSV1-500-0003	5-500	1.8	40	5.75	2.35	146.05	59.69	C	2	50	1 lb 5 oz
5	CSV1-500-0005	5-500	3.0	45	5.75	2.35	146.05	59.69	C	2	50	1 lb 5 oz
3	UCSL-500-3S	5-500	1.8	35	4.94	2.32	125.48	58.93	G	3.8	40	9 oz
5	UCSL-500-5S	5-500	3.0	40	4.94	2.32	125.48	58.93	G	3.8	40	9 oz
3	CVCD-500-3S	5-500	1.8	50	6.00	2.44	152.40	61.98	C	1.5	42	1 lb 10 oz
5	CVCD-500-5S	5-500	3.0	55	6.00	2.44	152.40	61.98	C	1.5	42	1 lb 10 oz
5	CMV2-500-0105 ¹	5.6-500	5.0	38	4.65	1.78	118.14	45.21	C	1.6	50	12 oz

*C-Ceramic/G-Glass ¹Has shorting switch, see page 8.

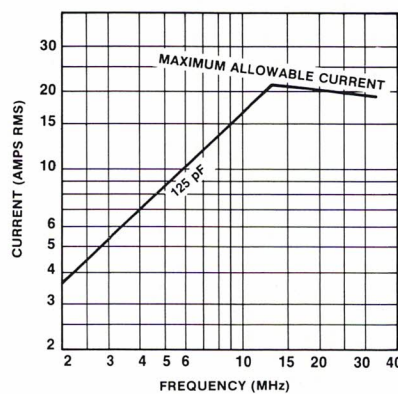
CACA 125



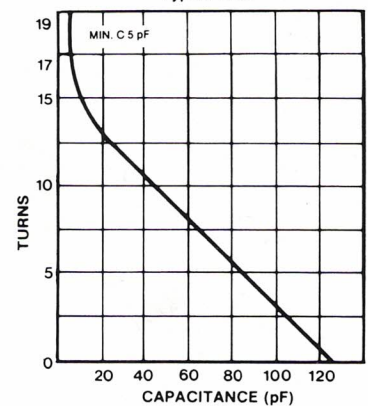
CACAN (Non-Magnetic) Available

Mounting: Soldered-on flanges.

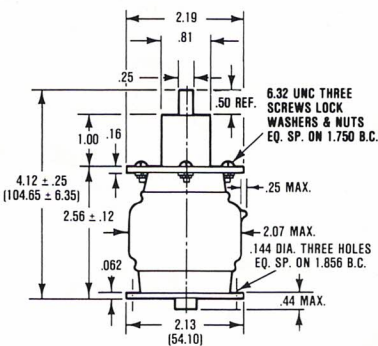
CONTINUOUS RMS AMPERES vs FREQUENCY (at 3kV PEAK WORKING VOLTAGE)



CAPACITY vs TURNS Typical Data

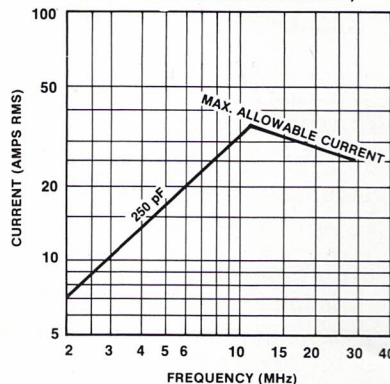


UCSL 250



UCSLN (Non-Magnetic) Available Mounting: Soldered-on flanges.

CONTINUOUS RMS AMPERES vs FREQUENCY (at 3kV PEAK WORKING VOLTAGE)



CAPACITY vs TURNS Typical Data

