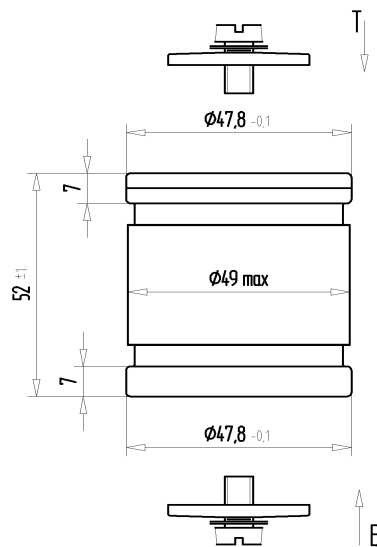


CFMN-400AAC/12-DE-G

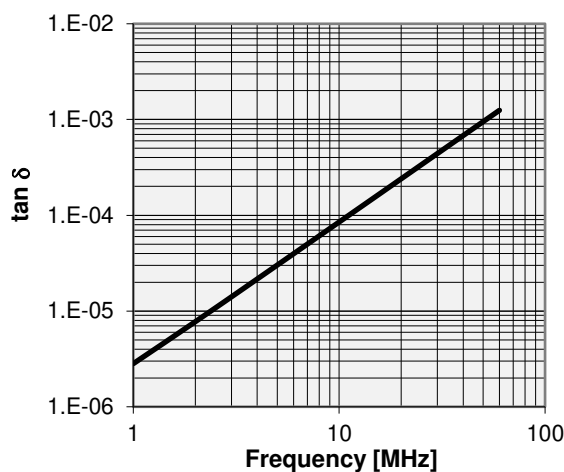
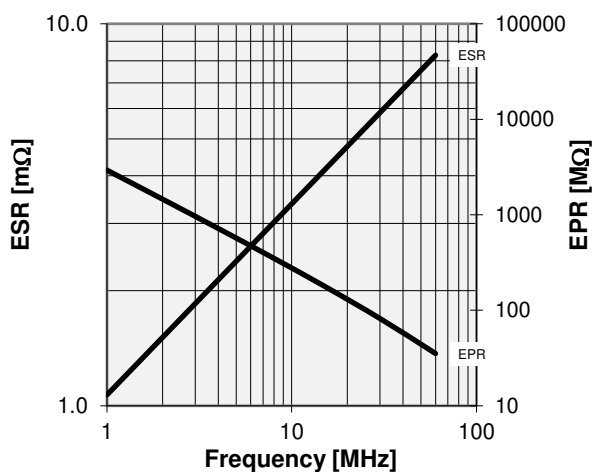
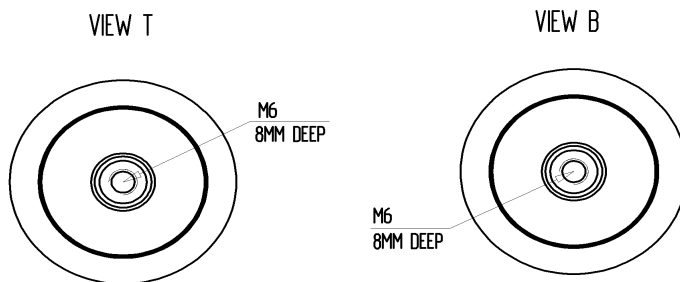
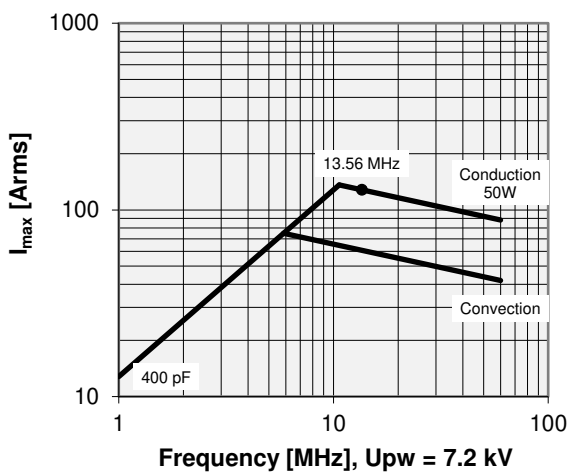
Old Type Designation: MC05C-400E

Specifications

Capacity C_{max} (nominal)	400 pF
Voltage (Peak Test U_{pt} / Peak Working U_{pw})	12 kV / 7.2 kV
Capacity Tolerance	5%
Max. Current I_{max} at 13.56 MHz with	128 Arms
Conduction Cooling	50 W
Net Weight	0.4 kg



I_{max} at 25°C ambient and 125°C surface temp. for convection and conduction (50 W) cooling



Special Features:
Capacity Tolerance 5%

Note:
Technical information in Service Bulletin
SB-52 must be considered
Subject to change without prior notice