

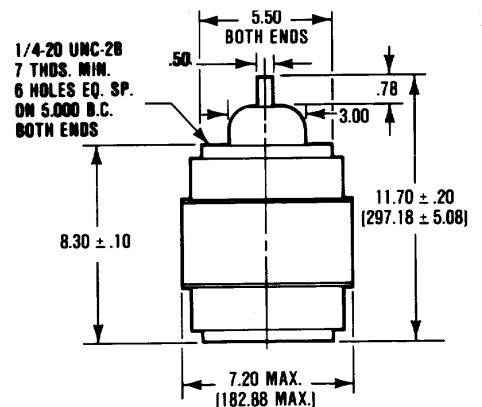


### CVFP 750, 1000 SPECIFICATIONS

Model Number	Capacity Range (pF)	Voltage (kV) Peak		Current Amps (RMS) Max.	Type	Nominal Dimensions		Torque (in lbs.) Max.	Direct Pull (lbs.) Max.	Weight (nominal)
		Test	Working			Length (in/mm)	Diam. (in/mm)			
CVFP-750-30S	20-750	30	18	200	Ceramic	11.70 / 297.18	7.20 / 182.88	9	134	17 lb. 13 oz.
CVFP-750-35S	20-750	35	21	210	Ceramic	11.70 / 297.18	7.20 / 182.88	9	134	17 lb. 13 oz.
CVFP-750-40S	20-750	40	24	220	Ceramic	11.70 / 297.18	7.20 / 182.88	9	134	17 lb. 13 oz.
CVFP-1000-30S	35-1000	30	18	215	Ceramic	11.70 / 297.18	7.20 / 182.88	10	150	18 lb. 2 oz.
CVFP-1000-35S	35-1000	35	21	220	Ceramic	11.70 / 297.18	7.20 / 182.88	10	150	18 lb. 2 oz.
CVFP-1000-40S	35-1000	40	24	225	Ceramic	11.70 / 297.18	7.20 / 182.88	10	150	18 lb. 2 oz.

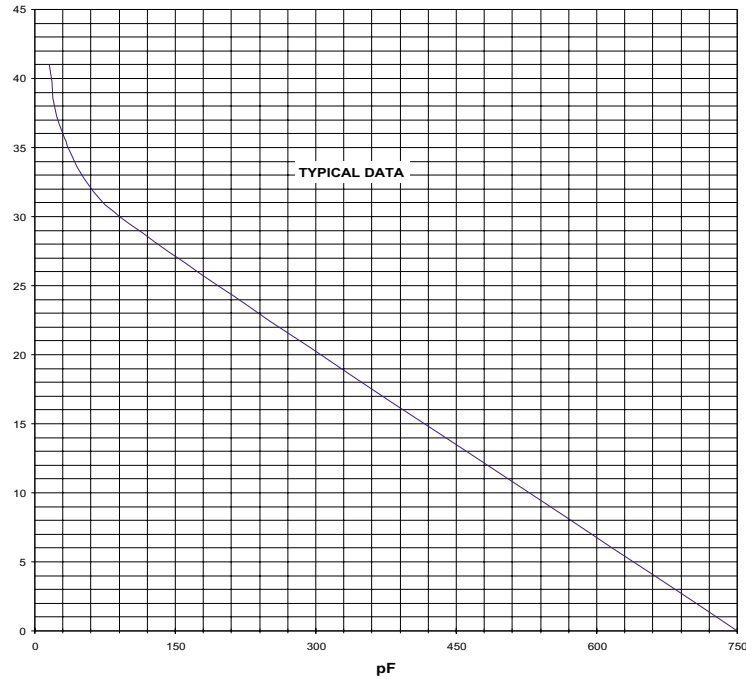
**NOTES:**

*Mounting:* Both ends have tapped holes.





**CAPACITANCE VS TURNS**  
**1/4-28 CAP ADJ SCREW**  
**CVFP-750**



**CAPACITANCE VS TURNS**  
**1/4-28 CAP ADJ SCREW**  
**CVFP-1000**

