

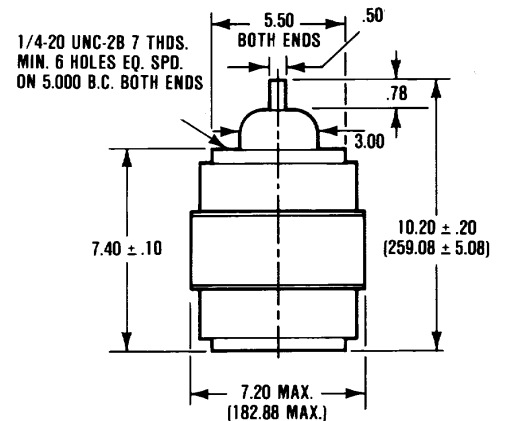


**CVEP 1000, 1500, 2000 SPECIFICATIONS**

Model Number	Capacity Range (pF)	Voltage (kV) Peak		Current Amps (RMS) Max.	Type	Nominal Dimensions		Torque (in lbs.) Max.	Direct Pull (lbs.) Max.	Weight (nominal)
		Test	Working			Length (in/mm)	Diam. (in/mm)			
CVEP-1000-10S	50-1000	10	6.0	150	Ceramic	10.20 / 259.08	7.20 / 182.88	9.2	96	17 lb. 10 oz.
CVEP-1000-15S	50-1000	15	9.0	165	Ceramic	10.20 / 259.08	7.20 / 182.88	9.2	96	17 lb. 10 oz.
CVEP-1000-20S	50-1000	20	12.0	180	Ceramic	10.20 / 259.08	7.20 / 182.88	9.2	96	17 lb. 10 oz.
CVEP-1500-10S	100-1500	10	6.0	190	Ceramic	10.20 / 259.08	7.20 / 182.88	13.0	144	18 lb. 2 oz.
CVEP-1500-15S	100-1500	15	9.0	200	Ceramic	10.20 / 259.08	7.20 / 182.88	13.0	144	18 lb. 2 oz.
CVEP-1500-20S	100-1500	20	12.0	210	Ceramic	10.20 / 259.08	7.20 / 182.88	13.0	144	18 lb. 2 oz.
CVEP-2000-10S	100-2000	10	6.0	190	Ceramic	10.20 / 259.08	7.20 / 182.88	13.0	144	18 lb. 2 oz.
CVEP-2000-15S	100-2000	15	9.0	200	Ceramic	10.20 / 259.08	7.20 / 182.88	13.0	144	18 lb. 2 oz.

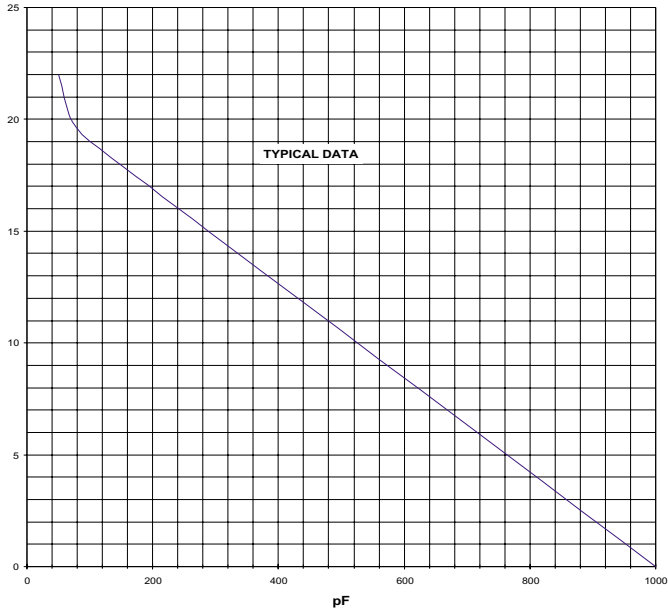
**NOTES:**

*Mounting:* Both ends have tapped holes.

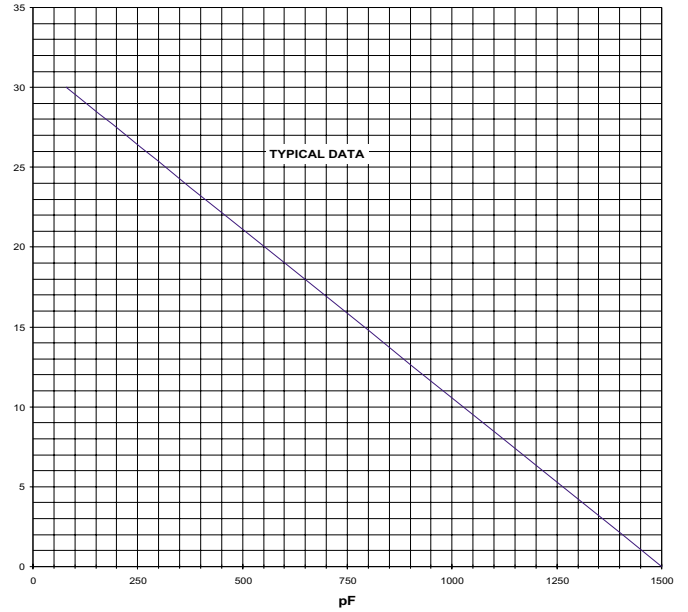




**CAPACITANCE VS TURNS**  
**1/2-28 CAP ADJ SCREW**  
**CVEP-1000**



**CAPACITANCE VS TURNS**  
**1/2-28 CAP ADJ SCREW**  
**CVEP-1500**



**CAPACITANCE VS TURNS**  
**1/2-28 CAP ADJ SCREW**  
**CVEP-2000**

