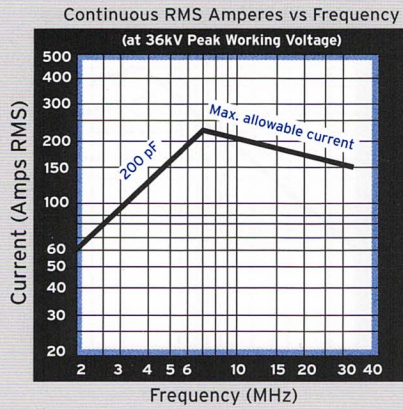
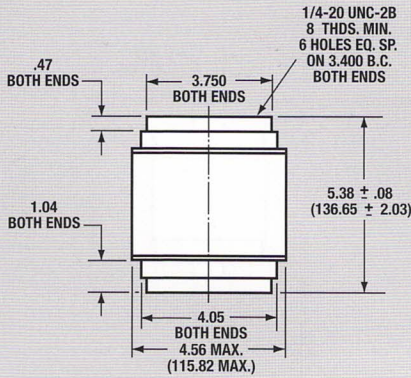


Product Number	Capacity (pF) ± 5%	Voltage Peak (kV)		Current Amps. (RMS) Max.	Nominal Dimensions				Weight (Nominal)
		test	working		Inches		Millimeters		
					length	diam.	length	diam.	
CFHD-200-45S	200	45	27	215	5.38	4.56	136.65	115.82	5 lb. 2 oz.
CFHD-200-50S	200	50	30	220	5.38	4.56	136.65	115.82	5 lb. 2 oz.
CFHD-200-55S	200	55	33	225	5.38	4.56	136.65	115.82	5 lb. 2 oz.
CFHD-200-60S†	200	60	36	230	5.38	4.56	136.65	115.82	5 lb. 2 oz.
CKT-200-0030	200	30	20	95	6.44	2.66	163.60	67.60	1 lb. 15 oz.

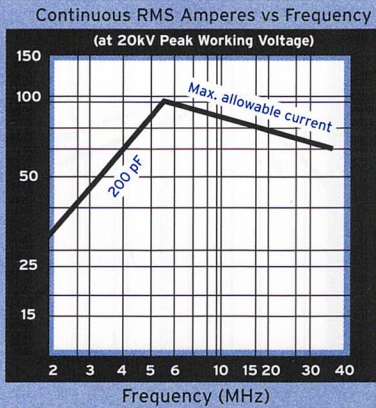
† max. diameter is 4.80 with corona rings



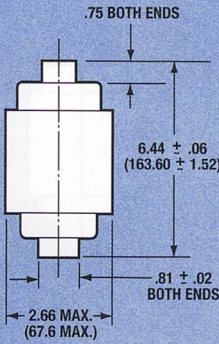
Mounting:
Both ends have tapped holes.



CFHD
200



Mounting:
Use flange FMOA on both ends.



CKT
200

