



150 Dodd Street SE
Marietta, GA. 30060

Phone: 770-973-6251
Fax: 678-401-3854

Email: info@mgs4u.com
Website: www.mgs4u.com

mini-UHF female to mini-UHF male Right Angle Adapter



Technical Data Sheet

This mini-UHF female to mini-UHF male right angle adapter is one of several thousand RF products available from Max-Gain Systems, Inc. This right angle adapter is an in-series coaxial adapter.

This right angle adapter is made from a Solid Brass body that is precision machined and plated with Nickel for superior performance and value. This mini-UHF female to mini-UHF male right angle adapter has a Delrin dielectric and a gold plated brass center pin. The mini-UHF female side provides a jack and threaded connection used in applications such as: automotive, amateur radio, cellular, and others where size and weight are critical factors. The mini-UHF male side provides a plug and threaded connection used in applications such as: automotive, amateur radio, cellular, and others where size and weight are critical factors.

Material Specifications

mini-UHF female to mini-UHF male Right Angle Adapter **Part Number 7615-RA**

Description	Material	Plating
Center Pin	Brass	Gold
Insulator	Delrin	-
Body	Brass	Nickel

Mechanical Specifications

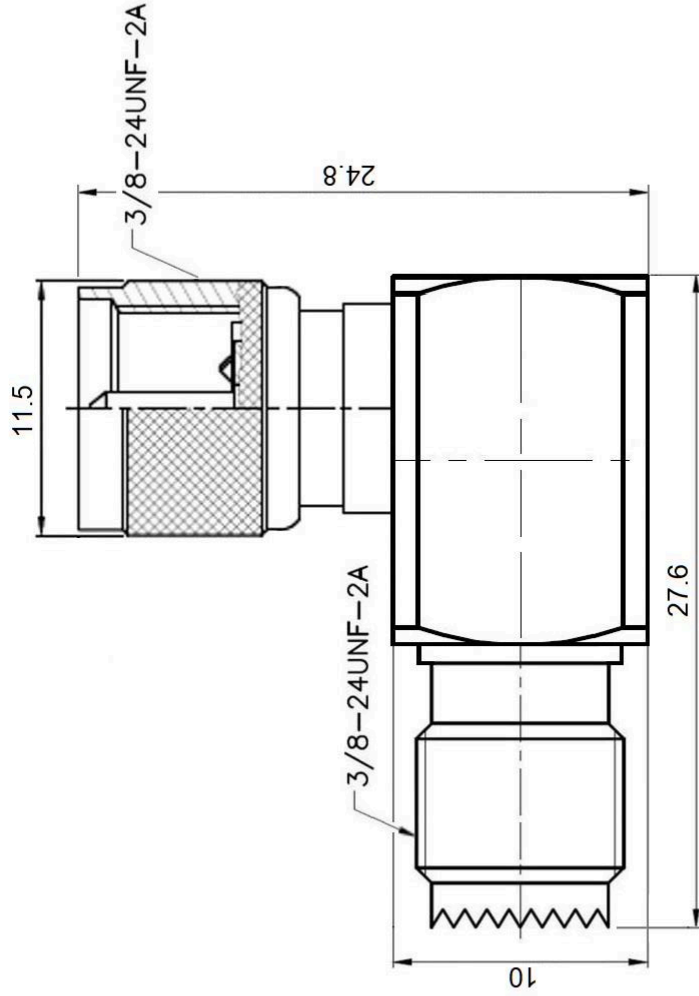
Size	Dimension
Length	1.09 in (27.6 mm)
Width	0.98 in (24.8 mm)
Height	0.45 in (11.5 mm)
Weight	0.6 oz (16 g)

Environmental Specifications

Temperature	Spec
Operating Range	-65 to +165 deg C

Compliance Certifications (see product page for current documentation)

Availability Click the following link (or enter part number in the “SEARCH” bar at the top of any page of the website) to obtain additional part information including price, inventory and certifications: <https://mgs4u.com/product/mini-uhf-female-to-mini-uhf-male-right-angle-adapter-7615-ra/>



MGS MAX-GAIN SYSTEMS, INC.

Max-Gain Systems, Inc.
 150 Dodd Street SE, Marietta, GA, 30060
 Phone: (770) 973-6251 | Fax: (678) 401-3854
 Website: www.mgs4u.com | E-Mail: sales@mgs4u.com

TITLE: Mini-UHF female to Mini-UHF male
 Right Angle Adapter

DRAWING NO: 7615-RA

FILE NO :

PART NO	DATE	DATE	DATE	DATE
APPROVED				
CHECKED				
DRAWN				
UNLESS OTHERWISE SPECIFIED TOLERANCES		UNIT: mm		
0.5-5	±0.2	SCALE: .		
5-30	±0.4			
30-120	±0.6			
120-315	±1			
315-1000	±1.6			
1000-2000	±2.4			
PIN	BRASS	GOLD	FINISH	
INSULATOR	DELTRIN	WHITE		
BODY	BRASS	NICKEL		
NO. DESCRIPTION	MATERIAL			