



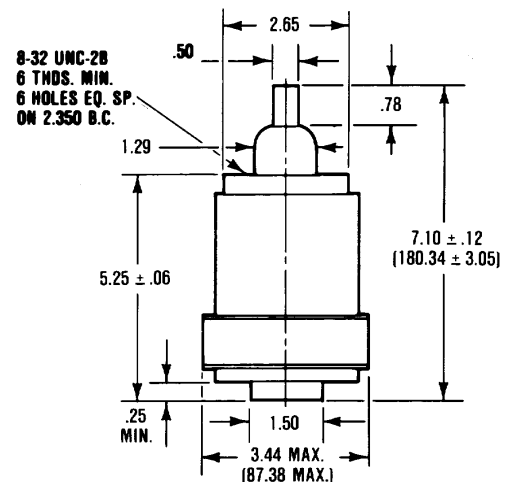
CVCD 1000, 1500, 2000 SPECIFICATIONS

Model Number	Capacity Range (pF)	Voltage (kV) Peak		Current Amps (RMS) Max.	Type	Nominal Dimensions		Torque (in lbs.) Max.	Direct Pull (lbs.) Max.	Weight (nominal)
		Test	Working			Length (in/mm)	Diam. (in/mm)			
CVCD-1000-3S	10-1000	3.0	1.8	75	Ceramic	7.10 / 180.34	3.44 / 87.38	2.5	42	3 lb. 10 oz.
CVCD-1000-5S	10-1000	5.0	3.0	80	Ceramic	7.10 / 180.34	3.44 / 87.38	2.5	42	3 lb. 10 oz.
CVCD-1500-3S*	10-1500	3.0	1.8	80	Ceramic	7.10 / 180.34	3.44 / 87.38	2.5	42	3 lb. 10 oz.
CVCD-1500-5S*	10-1500	5.0	3.0	100	Ceramic	7.10 / 180.34	3.44 / 87.38	2.5	42	3 lb. 10 oz.
CVCD-2000-3S	20-2000	3.0	1.8	70	Ceramic	7.10 / 180.34	3.44 / 87.38	2.5	42	3 lb. 10 oz.
CVCD-2000-5S	20-2000	5.0	3.0	100	Ceramic	7.10 / 180.34	3.44 / 87.38	2.5	42	3 lb. 10 oz.

NOTES:

Mounting: Fixed end ferrule use FM1H flange. Variable end tapped holes.

* CVCM (metric version) available.





CAPACITANCE VS TURNS
1/4-28 CAP ADJ SCREW
CVCD-2000

