



150 Dodd Street SE
Marietta, GA. 30060

Phone: 770-973-6251
Fax: 678-401-3854

Email: info@mgs4u.com
Website: www.mgs4u.com

BNC female to mini-UHF male Adapter



Technical Data Sheet

This BNC female to mini-UHF male adapter is one of several thousand RF products available from Max-Gain Systems, Inc. This adapter is a between series coaxial adapter.

This adapter is made from a Solid Brass body that is precision machined and plated with Nickel for superior performance and value. This BNC female to mini-UHF male adapter has a Delrin dielectric and a gold plated brass center pin. The BNC female provides tabs or “bayonets” for quick and reliable connections and disconnections. The mini-UHF male side provides a plug and threaded connection used in applications such as: automotive, amateur radio, cellular, and others where size and weight are critical factors.

Material Specifications

BNC female to Mini-UHF male Adapter

Part Number 7607

Description	Material	Plating
Insulator	Delrin	White
Shell	Brass	Nickel
Pin	Brass	Gold
Insulator	Delrin	White
Body	Brass	Nickel

Mechanical Specifications

Size	Dimension
Length	1.26 in (32.2 mm)
Width	0.47 in (11.5 mm)
Height	0.47 in (11.5 mm)
Weight	0.35 oz (10 g)

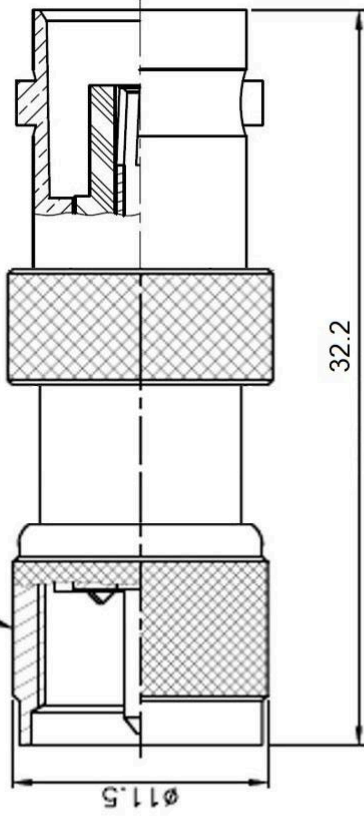
Environmental Specifications

Temperature	Spec
Operating Range	-65 to +165 deg C

Compliance Certifications (see product page for current documentation)

Availability Click the following link (or enter part number in the “SEARCH” bar at the top of any page of the website) to obtain additional part information including price, inventory and certifications: <https://mgs4u.com/product/bnc-female-to-mini-uhf-male-adapter-7607/>

3/8-24UNF-2B



Max-Gain Systems, Inc.
 150 Dodd Street SE, Marietta, GA, 30060
 Phone: (770) 973-6251 | Fax: (678) 401-3854
 Website: www.mgs4u.com | E-Mail: sales@mgs4u.com

TITLE: BNC female to Mini-UHF male
 DRAWING NO: 7607
 FILE NO :

NO.	DESCRIPTION	MATERIAL	FINISH	QTY	UNLESS OTHERWISE SPECIFIED TOLERANCES		PART NO	DATE		
					0.5-5	±0.2			APPROVED	DATE
					5-30	±0.4			CHECKED	DATE
	INSULATOR	DELTRIN	WHITE	1						
	SHELL	BRASS	NICKEL	1						
	PIN	BRASS	GOLD	1						
	INSULATOR	DELTRIN	WHITE	1						
	BODY	BRASS	NICKEL	1						
	DESCRIPTION	MATERIAL	FINISH	QTY	UNIT: mm		DRAWN	DATE		
					SCALE: .					

UNLESS OTHERWISE SPECIFIED TOLERANCES
 0.5-5 ±0.2
 5-30 ±0.4
 30-120 ±0.6
 120-315 ±1
 315-1000 ±1.6
 1000-2000 ±2.4