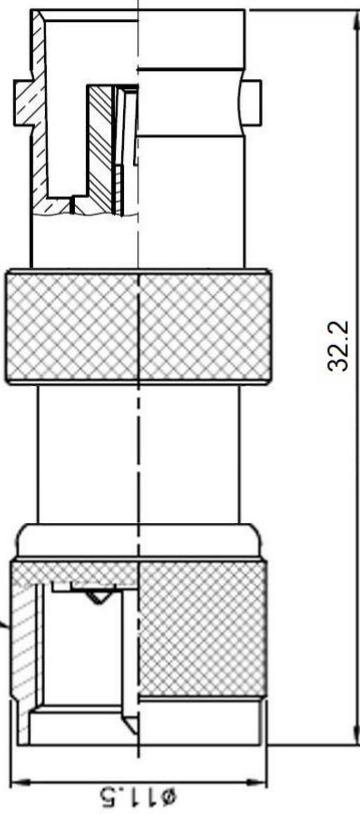


3/8-24UNF-2B



Max-Gain Systems, Inc.
 150 Dodd Street SE, Marietta, GA, 30060
 Phone: (770) 973-6251 | Fax: (678) 401-3854
 Website: www.mgs4u.com | E-Mail: sales@mgs4u.com

TITLE: BNC female to Mini-UHF male
 DRAWING NO: 7607
 FILE NO :

NO.	DESCRIPTION	MATERIAL	FINISH	QTY	UNLESS OTHERWISE SPECIFIED TOLERANCES		PART NO	DATE
					0.5-5	±0.2	APPROVED	DATE
					5-30	±0.4	CHECKED	DATE
					30-120	±0.6	DRAWN	DATE
					120-315	±1		
					315-1000	±1.6		
					1000-2000	±2.4		
					UNIT: mm			
					SCALE: .			
	INSULATOR	DELTRIN	WHITE	1				
	SHELL	BRASS	NICKEL	1				
	PIN	BRASS	GOLD	1				
	INSULATOR	DELTRIN	WHITE	1				
	BODY	BRASS	NICKEL	1				
	DESCRIPTION	MATERIAL	FINISH	QTY				