



150 Dodd Street SE
Marietta, GA. 30060

Phone: 770-973-6251
Fax: 678-401-3854

Email: info@mgs4u.com
Website: www.mgs4u.com

UHF female to SMA male Adapter



Technical Data Sheet

This UHF female to SMA male adapter is one of several thousand RF products available from Max-Gain Systems, Inc. This adapter is a between series coaxial adapter.

This adapter is made from a Solid Brass body that is precision machined and plated with Nickel for superior performance and value. This UHF female to SMA male adapter has a PTFE dielectric and a gold plated brass center pin. The UHF female side (also known as a SO-239 connection) is by far the most popular connection type used in Amateur Radio. The SMA male side's plug and interior threads provide a sub-miniature and tight-locking connection for use at higher frequencies.

Material Specifications

UHF female to SMA male Adapter

Part Number 7828

Description	Material	Plating
Center Pin	Brass	Gold
Body	Brass	Nickel
Gasket	Rubber	Red
Insulator	PTFE	White

Mechanical Specifications

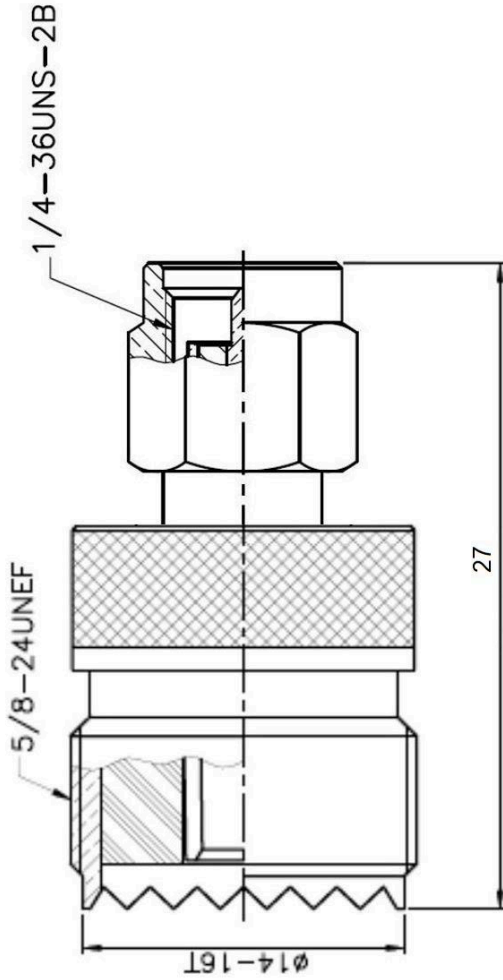
Size	Dimension
Length	1.07 in (27 mm)
Width	0.65 in (16.5 mm)
Height	0.65 in (16.5 mm)
Weight	0.6 oz (18 g)

Environmental Specifications

Temperature	Spec
Operating Range	-65 to +165 deg C

Compliance Certifications (see product page for current documentation)

Availability Click the following link (or enter part number in the “SEARCH” bar at the top of any page of the website) to obtain additional part information including price, inventory and certifications: <https://mgs4u.com/product/uhf-female-to-sma-male-adapter-7828/>



MGS MAX-GAIN SYSTEMS, INC.

Max-Gain Systems, Inc.
 150 Dodd Street SE, Marietta, GA. 30060
 Phone: (770) 973-6251 | Fax: (678) 401-3854
 Website: www.mgs4u.com | E-Mail: sales@mgs4u.com

TITLE: UHF female to SMA male Adapter

DRAWING NO: 7828

FILE NO :

		PART NO	DATE
		APPROVED	DATE
		CHECKED	DATE
		DRAWN	DATE
		UNIT: mm	
		SCALE: .	
		UNLESS OTHERWISE SPECIFIED TOLERANCES 0.5-5 = ±0.2 5-30 = ±0.4 30-120 = ±0.6 120-315 = ±1 315-1000 = ±1.6 1000-2000 = ±2.4	
GASKET	RUBBER	RED	1
PIN	BRASS	GOLD	1
INSULATOR	PTFE	WHITE	1
BODY	BRASS	NICKEL	1
NO. DESCRIPTION	MATERIAL	FINISH	QTY