



150 Dodd Street SE  
Marietta, GA. 30060

**Phone:** 770-973-6251  
**Fax:** 678-401-3854

**Email:** [info@mgs4u.com](mailto:info@mgs4u.com)  
**Website:** [www.mgs4u.com](http://www.mgs4u.com)

SMA male to Type N female Adapter



### Technical Data Sheet

This SMA male to Type N female adapter is one of several thousand RF products available from Max-Gain Systems, Inc. This adapter is a between series coaxial adapter.

This adapter is made from a Solid Brass body that is precision machined and plated with Nickel for superior performance and value. This SMA male to Type N female adapter has a PTFE dielectric and a gold plated brass center pin. The SMA male side's plug and interior threads provide a sub-miniature and tight-locking connection for use at higher frequencies. The Type N female side accepts a N male which contains a gasket, for shock- / vibration- resistant and waterproof connections.

### Material Specifications

**SMA male to Type N female Adapter**

**Part Number 7824**

Description	Material	Plating
Center Pin	Brass	Gold
Insulator	PTFE	White
Body	Brass	None
Gasket	Rubber	Red

## Mechanical Specifications

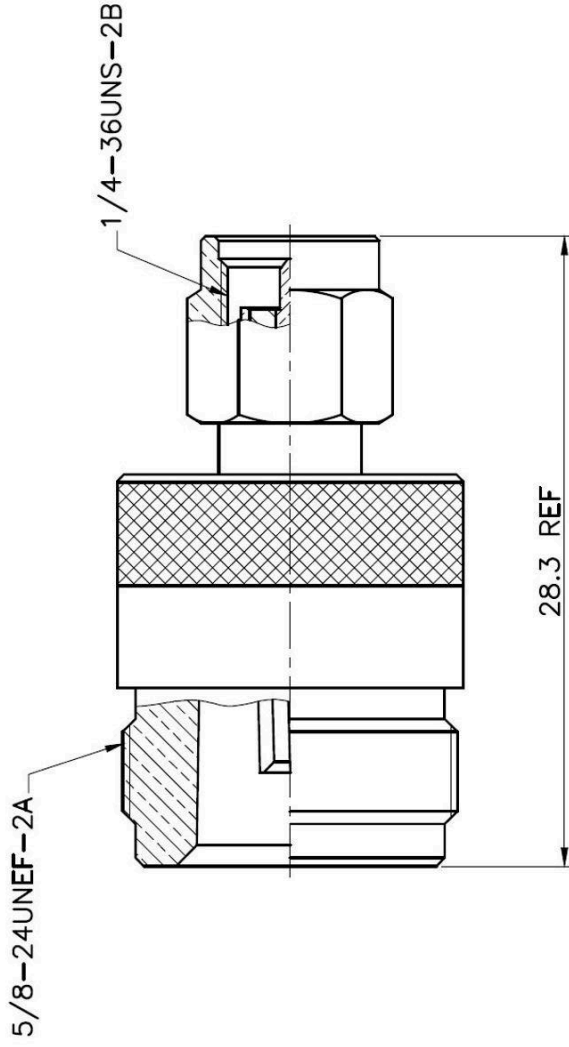
Size	Dimension
Length	1.11 in (28.2 mm)
Width	0.61 in (15.5 mm)
Height	0.61 in (15.5 mm)
Weight	0.8 oz (22 g)

## Environmental Specifications

Temperature	Spec
Operating Range	-65 to +165 deg C

## Compliance Certifications (see product page for current documentation)

**Availability** Click the following link (or enter part number in the “SEARCH” bar at the top of any page of the website) to obtain additional part information including price, inventory and certifications: <https://mgs4u.com/product/sma-male-to-n-female-adapter-7824/>



**MGS** MAX-GAIN SYSTEMS, INC.

Max-Gain Systems, Inc.  
 150 Dodd Street SE, Marietta, GA, 30060  
 Phone: (770) 973-6251 | Fax: (678) 401-3854  
 Website: www.mgs4u.com | E-Mail: sales@mgs4u.com

TITLE: SMA male to Type N female Adapter

DRAWING NO: 7824

FILE NO :

PART NO	DATE	
APPROVED	DATE	
CHECKED	DATE	
DRAWN	DATE	
UNLESS OTHERWISE SPECIFIED TOLERANCES 0.5-5 = ±0.2 5-30 = ±0.4 30-120 = ±0.6 120-315 = ±1 315-1000 = ±1.6 1000-2000 = ±2.4		
UNIT: mm		
SCALE: .		
GASKET	RUBBER	RED
PIN	BRASS	GOLD
INSULATOR	TEFLON	WHITE
BODY	BRASS	NICKEL
NO. DESCRIPTION	MATERIAL	FINISH